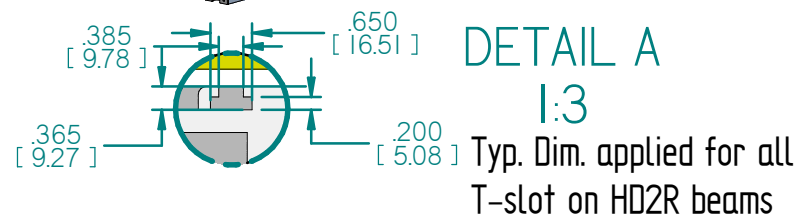
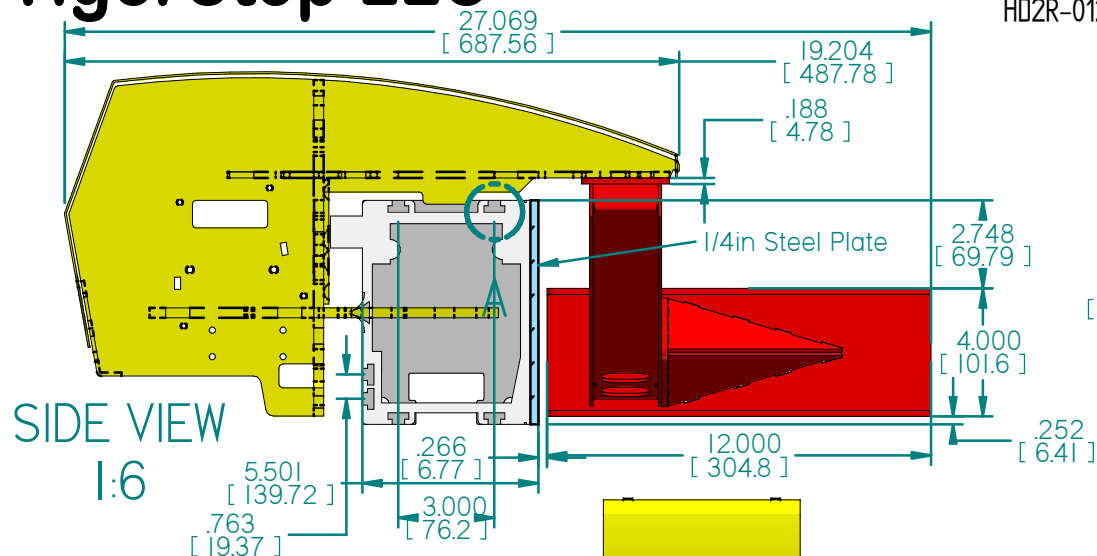
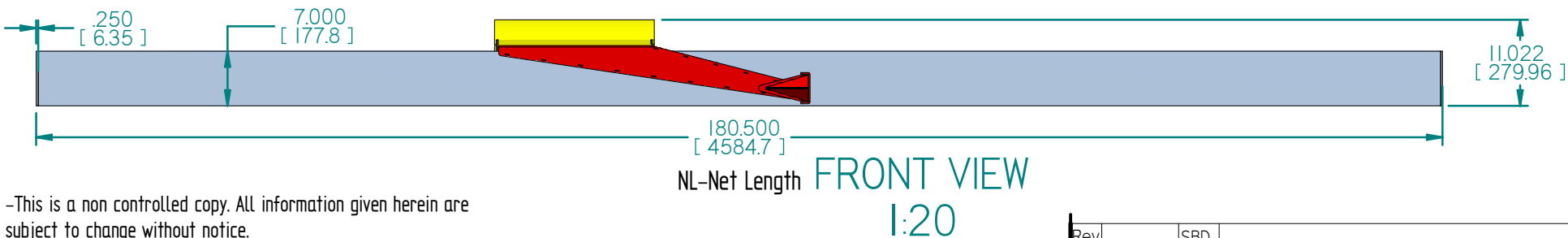
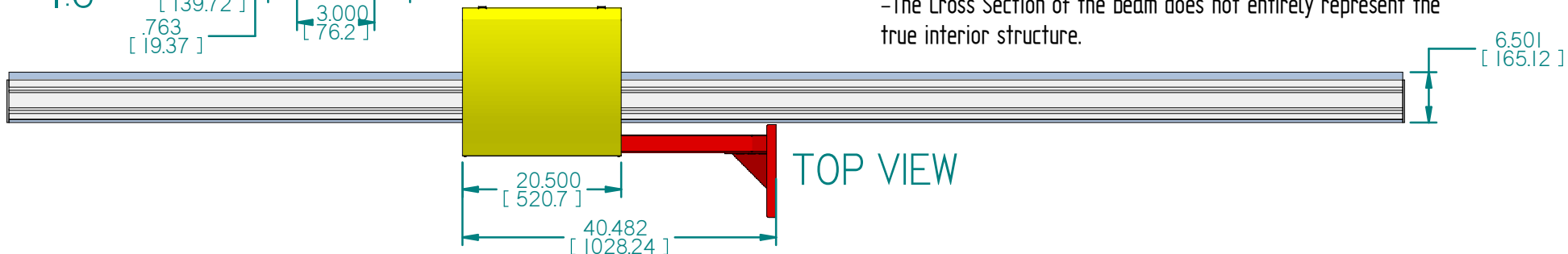


TigerStop LLC

All dimensions shown on drawing are applied for
HD2R-012 LEFT handed model



**Note:*
-End Plate in the Side View was removed to show the T-slots that would be used to mount the model to existing platform.
-The Cross Section of the beam does not entirely represent the true interior structure.



-This is a non controlled copy. All information given herein are subject to change without notice.
-The information given herein are carefully checked and is believed to be correct. TigerStop LLC, however, assumes no responsibility or liability for any errors, inaccuracies or omissions that may appear in this drawing.
-This document is subject to copyright laws. No part of this document may be reproduced or transmitted in any form or any means, electronic or mechanic, for any purpose, without the express written permission of TigerStop.

Available Size		
Model	Working Range (in)	NL - Appr. Net Length (in)
HD2R-012	144	180.5
HD2R-021	252	288.5
HD2R-024	288	324.5
HD2R-030	360	396.5
HD2R-036	432	468.5
HD2R-048	576	612.5
HD2R-060	720	756.5

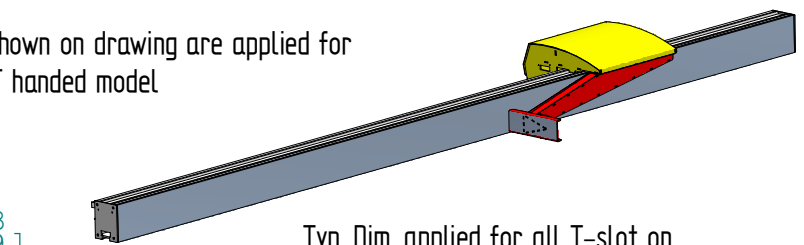
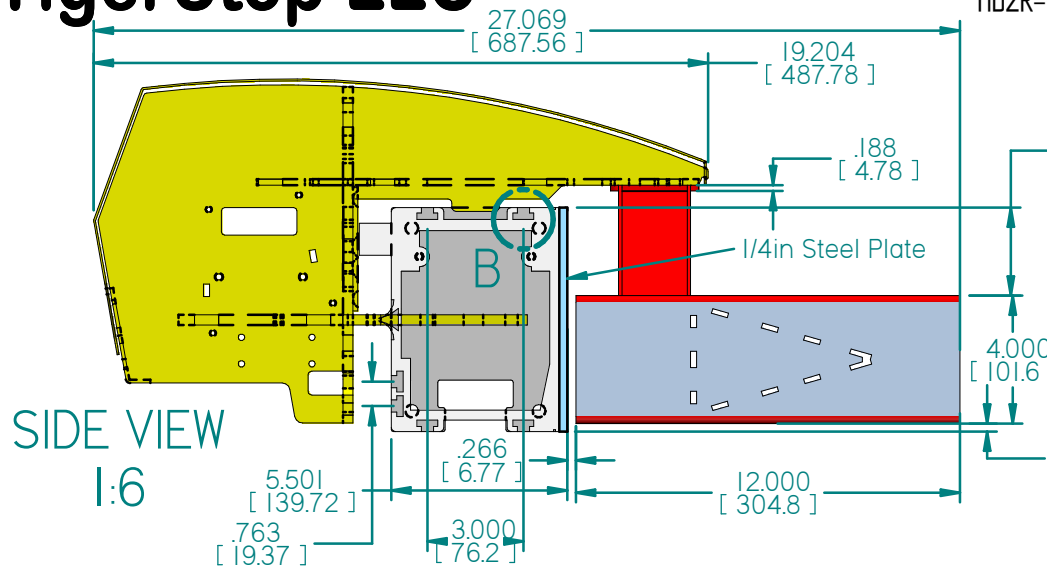
Rev		SBD	-
Rev		SBD	-
Rev		SBD	-
Rev		SBD	-
Rev		SBD	-

Title *HD2-Public Drawing HD2R12 Left Handed* Item: **Default**
 Copyright 1994-2011 Date **8/19/2011** Sht. **1** of **1** By: **dtran**
 TOLERANCE 0.0 = -/+ 0.03 Sheet Metal Bends = -/+0.015
 0.00 = -/+ 0.015
 0.000 = -/+ 0.005 Dim in () are mm

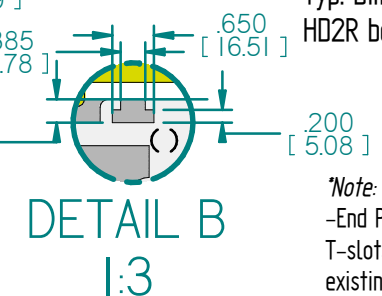
THIRD ANGLE PROJECTION

TigerStop LLC

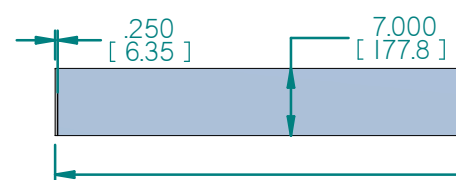
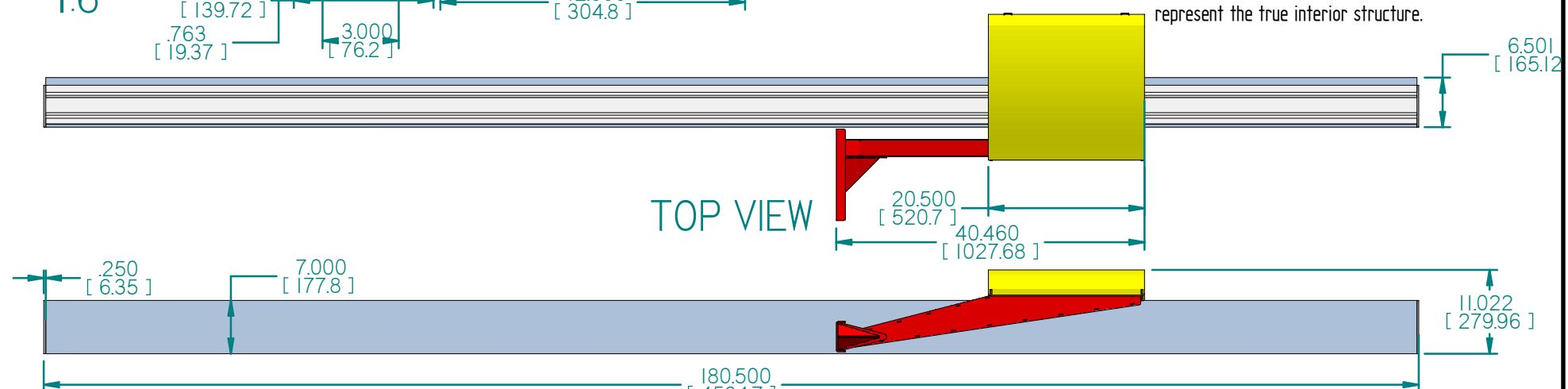
All dimensions shown on drawing are applied for HD2R-012 RIGHT handed model



Typ. Dim. applied for all T-slot on HD2R beams



Note:
 -End Plate in the Side View was removed to show the T-slots that would be used to mount the model to existing platform.
 -The Cross Section of the beam does not entirely represent the true interior structure.



NL-Net Length
FRONT VIEW 1:20

-This is a non controlled copy. All information given herein are subject to change without notice.
 -The information given herein are carefully checked and is believed to be correct. TigerStop LLC. however, assumes no responsibility or liability for any errors, inaccuracies or omissions that may appear in this drawing.
 -This document is subject to copyright laws. No part of this document may be reproduced or transmitted in any form or any means, electronic or mechanic, for any purpose, without the express written permission of TigerStop.

Available Size		
Model	Working Range (in)	NL - Appr. Net Length (in)
HD2R-012	144	180.5
HD2R-021	252	288.5
HD2R-024	288	324.5
HD2R-030	360	396.5
HD2R-036	432	468.5
HD2R-048	576	612.5
HD2R-060	720	756.5

Rev		SBD	-
Rev		SBD	-
Rev		SBD	-
Rev		SBD	-
Rev		SBD	-

Title **HD2-Public Drawing HD2R12 Right Handed** Item: **Default**
 Copyright 1994-2011 Date **8/18/2011** Sht. **1** of **1** By: **dtran**

TOLERANCE
 0.0 = -/+ 0.03 Sheet Metal Bends
 0.00 = -/+ 0.015 = -/+0.015
 0.000 = -/+ 0.005 Dim in () are mm

THIRD ANGLE PROJECTION