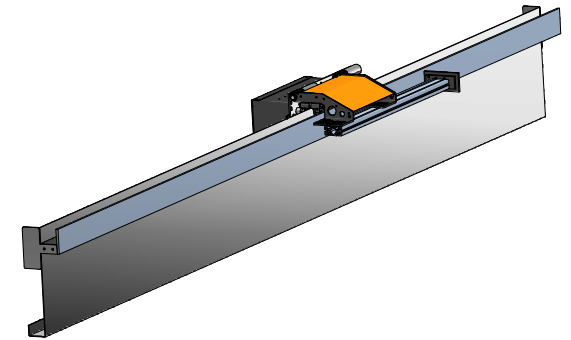
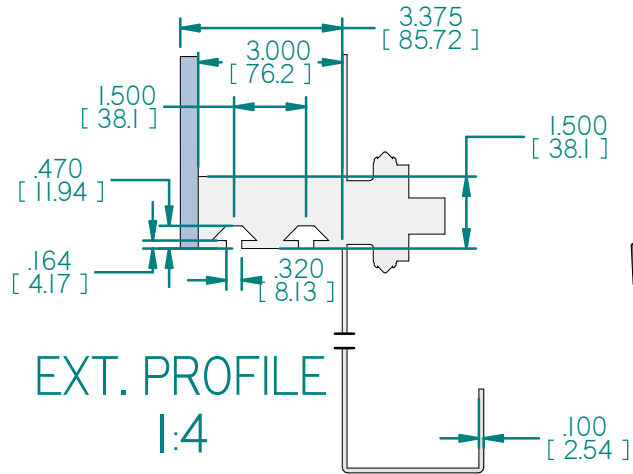
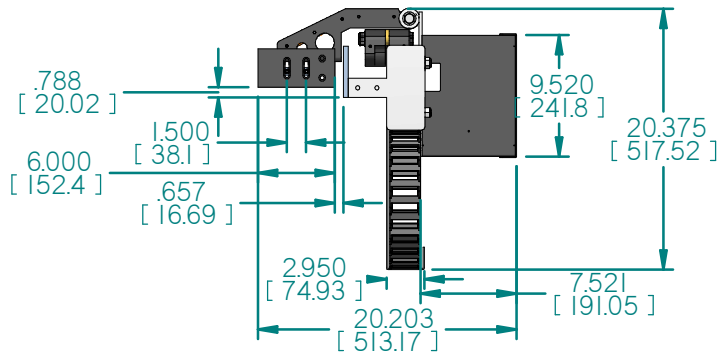
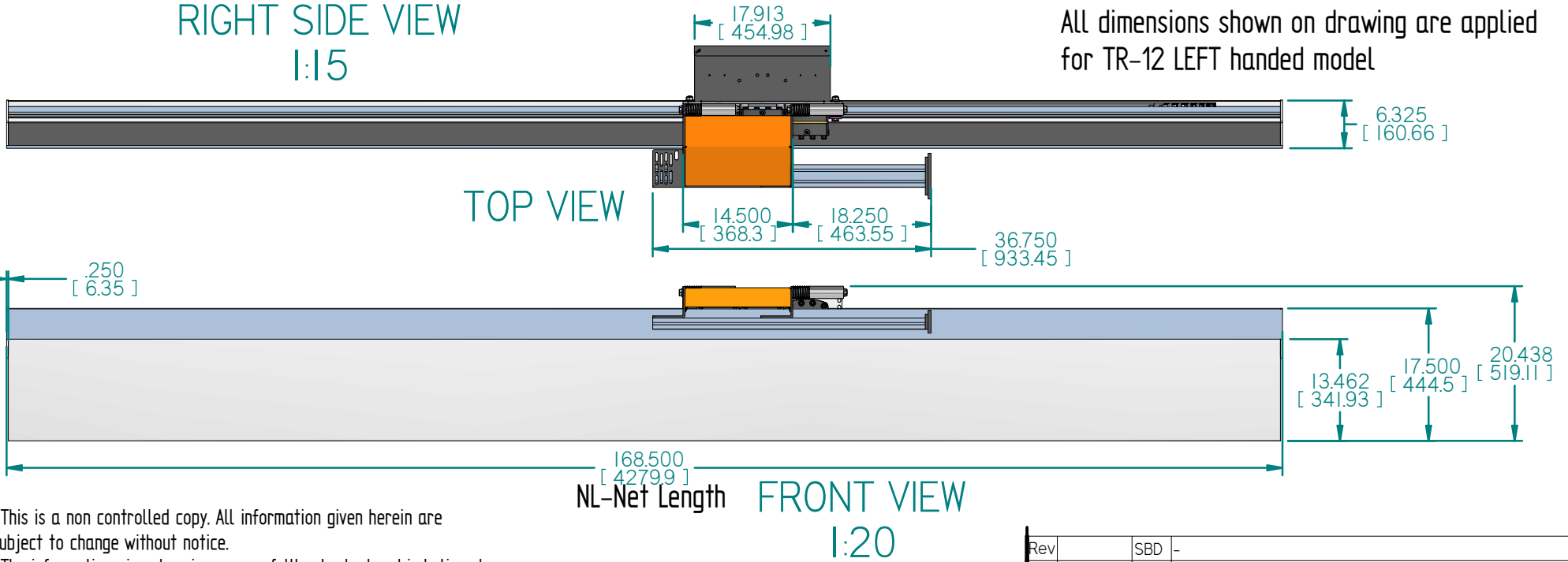


TigerStop LLC



All dimensions shown on drawing are applied for TR-12 LEFT handed model

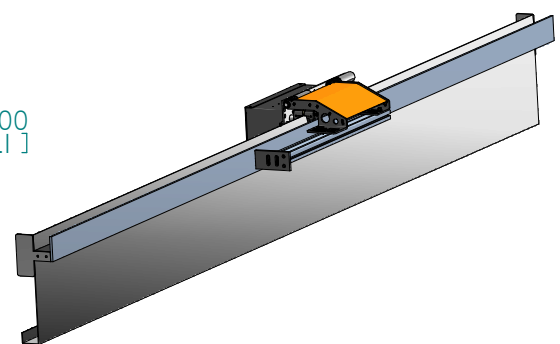
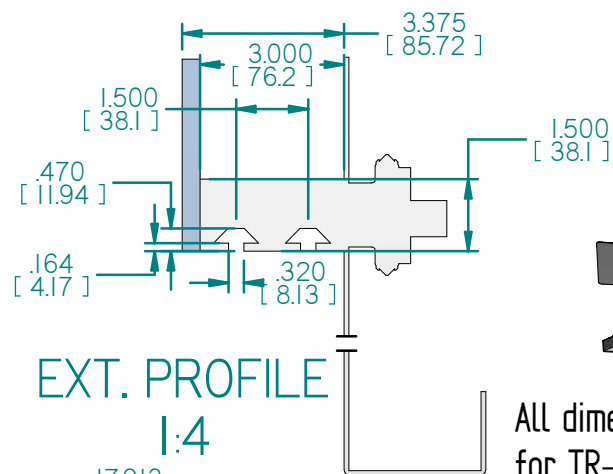
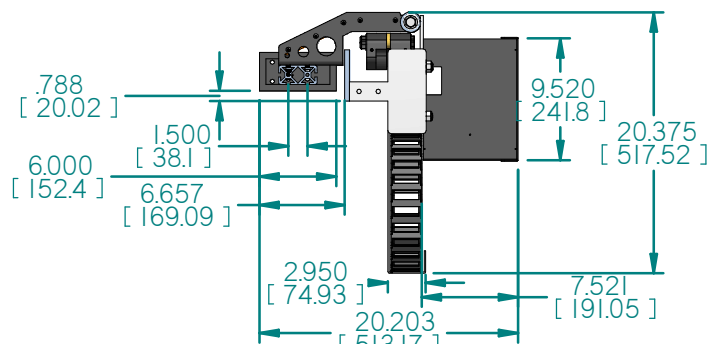


-This is a non controlled copy. All information given herein are subject to change without notice.
 -The information given herein are carefully checked and is believed to be correct. TigerStop LLC. however, assumes no responsibility or liability for any errors, inaccuracies or omissions that may appear in this drawing.
 -This document is subject to copyright laws. No part of this document may be reproduced or transmitted in any form or any means, electronic or mechanic, for any purpose, without the express written permission of TigerStop.

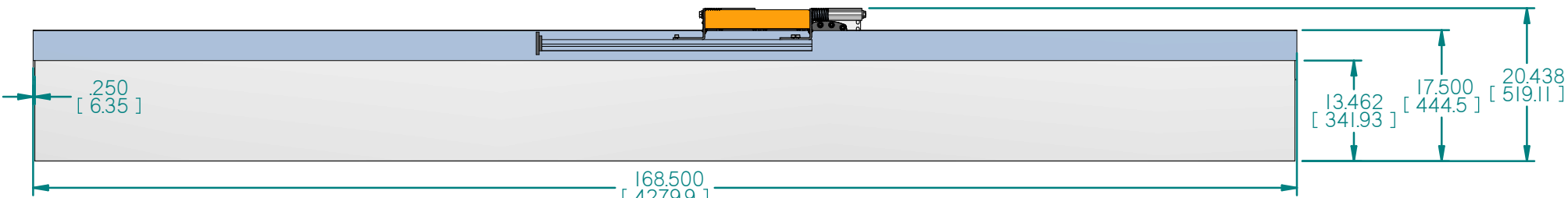
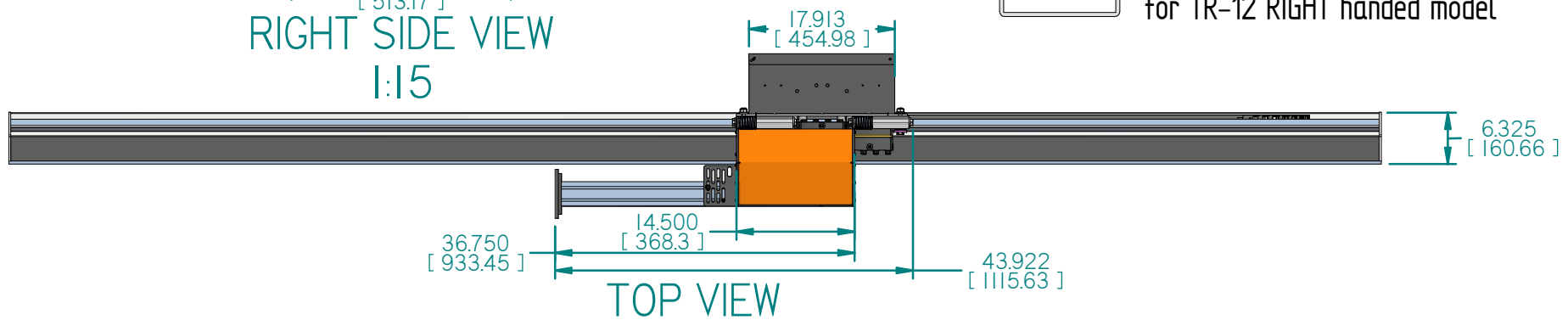
Available Size		
Model	Working Range (in)	NL - Appr. Net Length (in)
TR-12	144	168.5
TR-14	168	196.5
TR-20	240	464.5
TR-24	288	312.5
TR-30	360	384.5
TR-36	432	456.5
TR-46	552	576.5
TR-56	672	696.5

Rev		SBD	-
Rev		SBD	-
Rev		SBD	-
Rev		SBD	-
Rev		SBD	-
Title			TSRack-Public Drawing TR12 Left Handed
Copyright 1994-2011 Date			8/18/2011
Sht. 1 of 1			By: dtran
TOLERANCE			0.0 = -/+ 0.03 Sheet Metal Bends
			0.00 = -/+ 0.015 = -/+0.015
			0.000 = -/+ 0.005 Dim in () are mm
			THIRD ANGLE PROJECTION

TigerStop LLC



All dimensions shown on drawing are applied for TR-12 RIGHT handed model



NL-Net Length

-This is a non controlled copy. All information given herein are subject to change without notice.
 -The information given herein are carefully checked and is believed to be correct. TigerStop LLC, however, assumes no responsibility or liability for any errors, inaccuracies or omissions that may appear in this drawing.
 -This document is subject to copyright laws. No part of this document may be reproduced or transmitted in any form or any means, electronic or mechanic, for any purpose, without the express written permission of TigerStop.

Available Size		
Model	Working Range (in)	NL - Appr. Net Length (in)
TR-12	144	168.5
TR-14	168	196.5
TR-20	240	464.5
TR-24	288	312.5
TR-30	360	384.5
TR-36	432	456.5
TR-46	552	576.5
TR-56	672	696.5

Rev		SBD	-
Rev		SBD	-
Rev		SBD	-
Rev		SBD	-
Rev		SBD	-

Title: *TSRack-Public Drawing TR12 Right Handed* Item: Default
 Copyright 1994-2011 Date: 8/18/2011 Sht. 1 of 1 By: dtran
 TOLERANCE: 0.0 = -/+ 0.03 Sheet Metal Bends = -/+0.015
 0.00 = -/+ 0.015 = -/+0.015
 0.000 = -/+ 0.005 Dim in () are mm

THIRD ANGLE PROJECTION