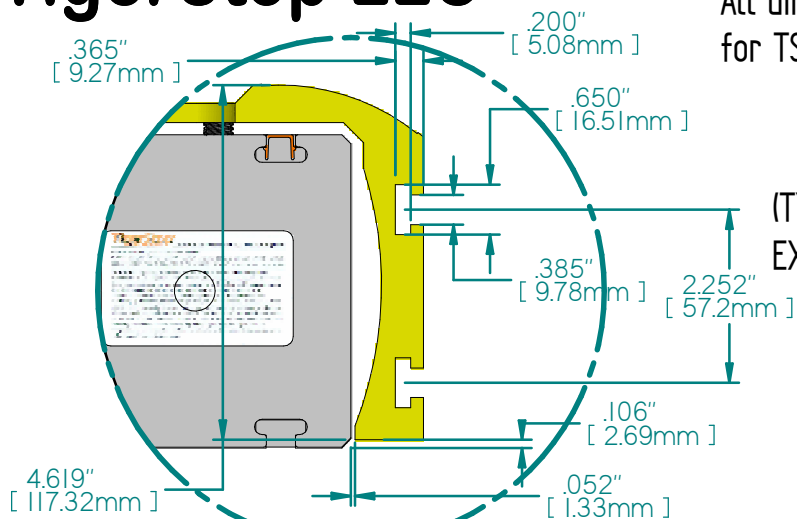
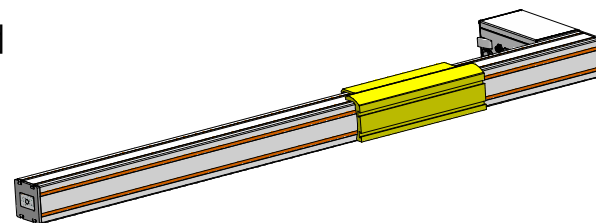


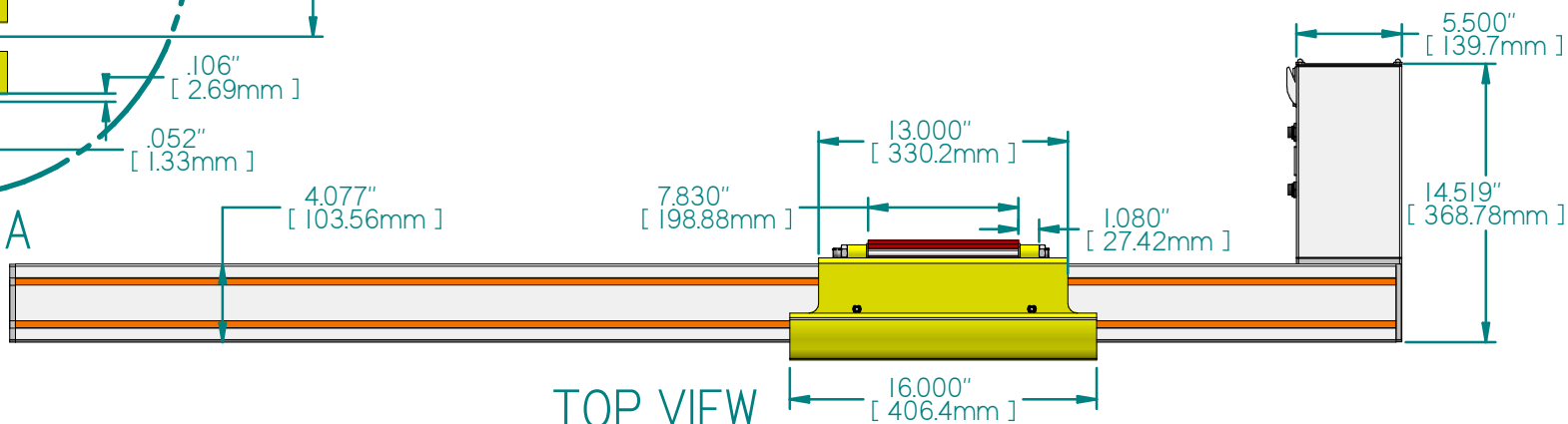
# TigerStop LLC

All dimensions shown on drawing are applied for TS04 LEFT handed model

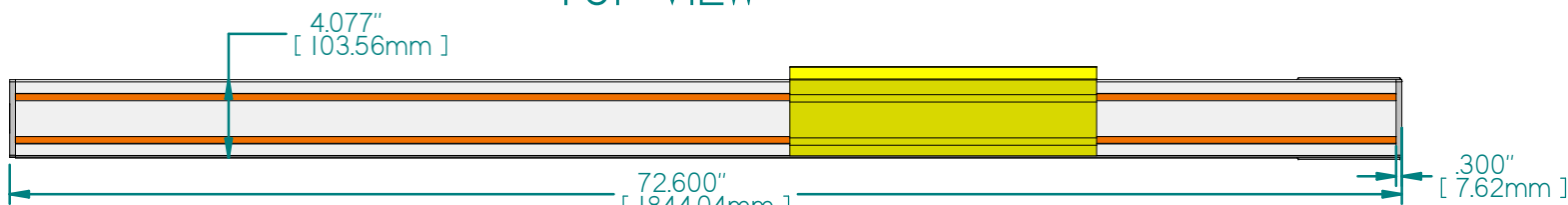
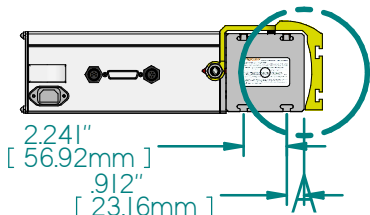


DETAIL A  
1:2.5

(TYP. T-SLOT DIM. APPLIED FOR BOTH EXTRUSION AND FLIP STOP)



TOP VIEW



FRONT VIEW

1:10

-This is a non controlled copy. All information given herein are subject to change without notice.

-The information given herein are carefully checked and is believed to be correct. TigerStop LLC. however, assumes no responsibility or liability for any errors, inaccuracies or omissions that may appear in this drawing.

-This document is subject to copyright laws. No part of this document may be reproduced or transmitted in any form or any means, electronic or mechanic, for any purpose, without the express written permission of TigerStop.

Available Size		
Model	Working Range	A - Net Length
TS04	48	72.6
TS06	72	96.6
TS08	96	120.6
TS10	120	144.6
TS12	144	168.6
TS16	196	216.6
TS20	240	267.6
TS22	264	288.6
TS24	288	312.6
TS30	360	384.6

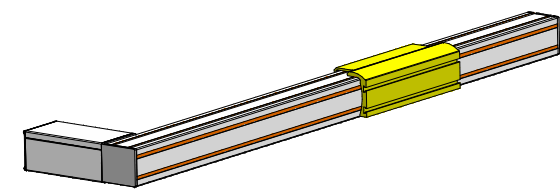
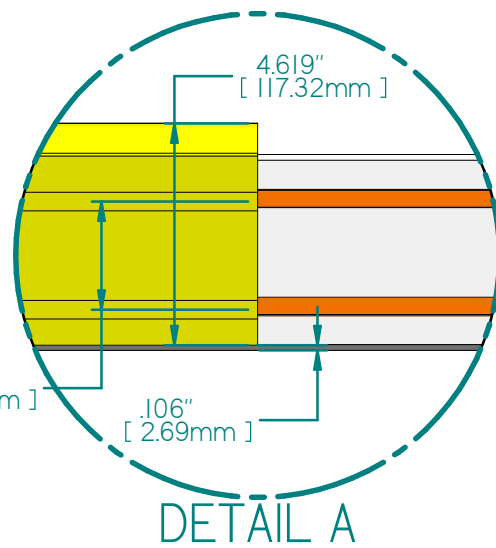
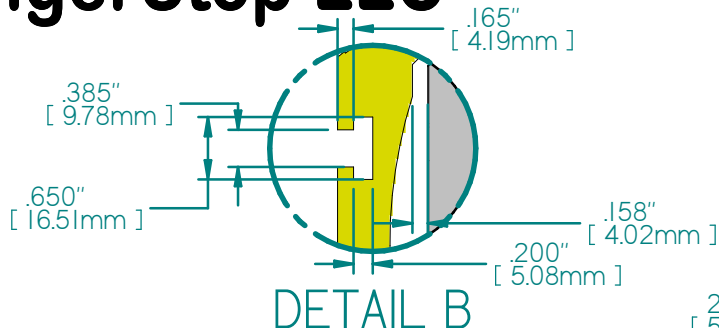
Rev		SBD	-
Rev		SBD	-
Rev		SBD	-
Rev		SBD	-
Rev		SBD	-

Title *Tiger2-Public Drawing Left Handed* Item: **Default**  
 Copyright 1994-2011 Date **8/15/2011** Sht. **1** of **1** By: **dtran**  
 TOLERANCE 0.0 = -/+ 0.03 Sheet Metal Bends = -/+0.015  
 0.00 = -/+ 0.015  
 0.000 = -/+ 0.005 Dim in ( ) are mm

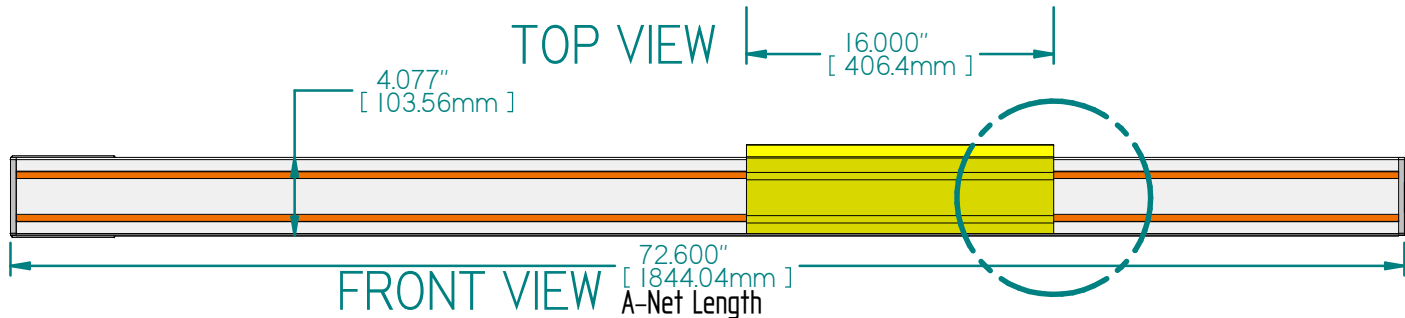
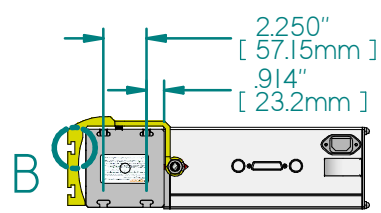
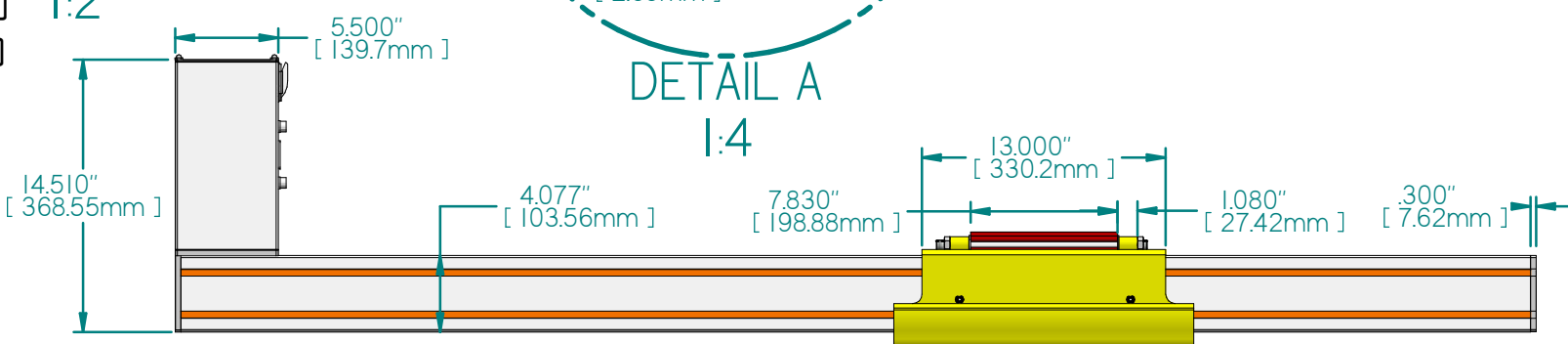
THIRD ANGLE PROJECTION

# TigerStop LLC

All dimensions shown on drawing are applied for TS04 RIGHT handed model



(TYP. T-SLOT DIM. APPLIED FOR BOTH EXTRUSION AND FLIP STOP)



-This is a non controlled copy. All information given herein are subject to change without notice.  
 -The information given herein are carefully checked and is believed to be correct. TigerStop LLC. however, assumes no responsibility or liability for any errors, inaccuracies or omissions that may appear in this drawing.  
 -This document is subject to copyright laws. No part of this document may be reproduced or transmitted in any form or any means, electronic or mechanic, for any purpose, without the express written permission of TigerStop.

Available Size		
Model	Working Range	A - Net Length
TS04	48	72.6
TS06	72	96.6
TS08	96	120.6
TS10	120	144.6
TS12	144	168.6
TS16	196	216.6
TS20	240	267.6
TS22	264	288.6
TS24	288	312.6
TS30	360	384.6

Rev	SBD	-	
Rev	SBD	-	
Rev	SBD	-	
Rev	SBD	-	
Rev	SBD	-	
Title			Tiger2-Public Drawing Right Handed
Copyright 1994-2011			Date 8/16/2011
Sht. 1 of 1			By: dtran
TOLERANCE		0.00 = -/+ 0.03	Sheet Metal Bends = -/+0.015
		0.00 = -/+ 0.015	
		0.000 = -/+ 0.005	Dim in ( ) are mm
		THIRD ANGLE PROJECTION	