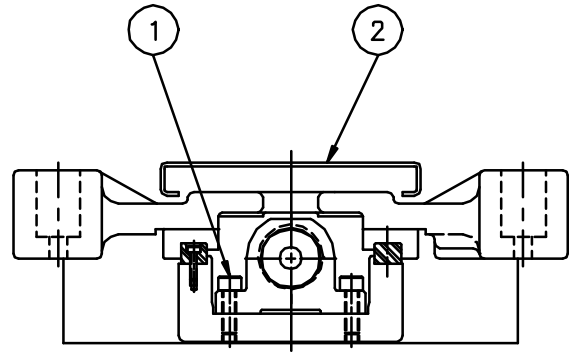
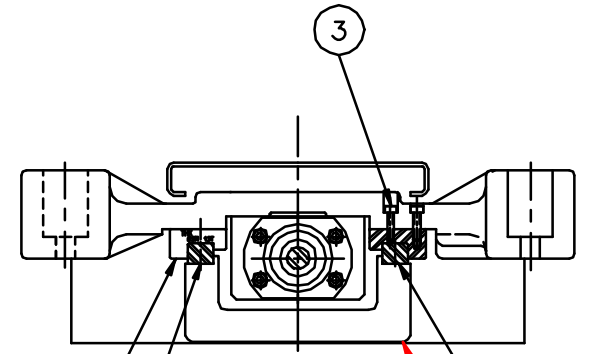


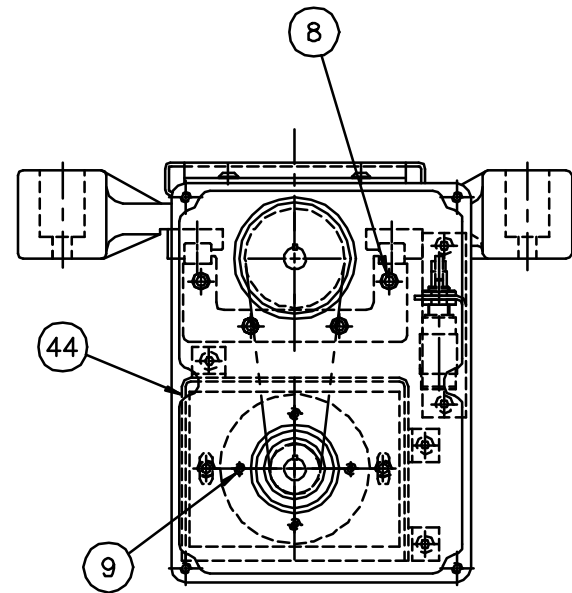
PROPRIETARY INFORMATION  
 INFORMATION CONTAINED HEREIN IS THE PROPERTY OF HURCO MANUFACTURING COMPANY, INC. NO REPRODUCTION OR DISCLOSURE OF THIS INFORMATION SHALL BE MADE BY THE RECIPIENT TO ANY OTHER PERSON OR ORGANIZATION WITHOUT THE PRIOR WRITTEN CONSENT OF HURCO MANUFACTURING COMPANY, INC.



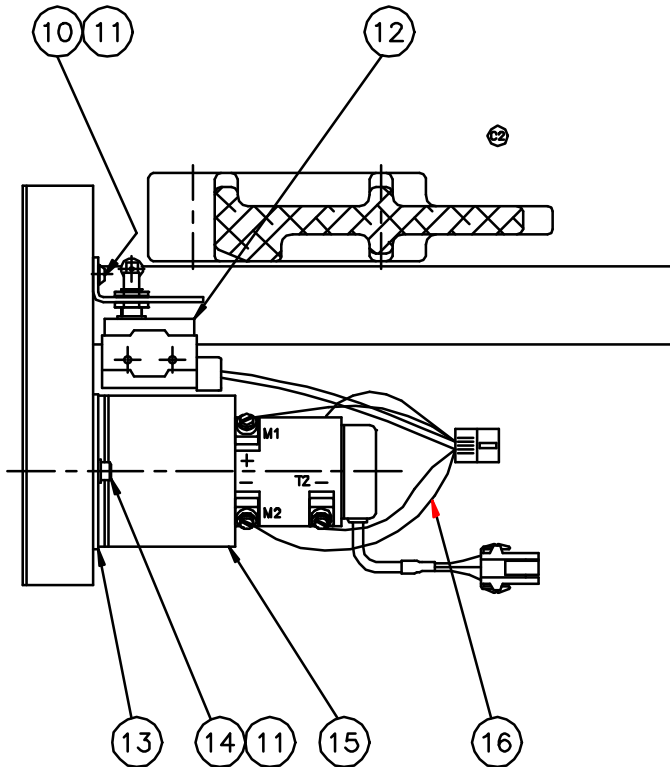
SECTION B-B  
(SEE SHEET 2)



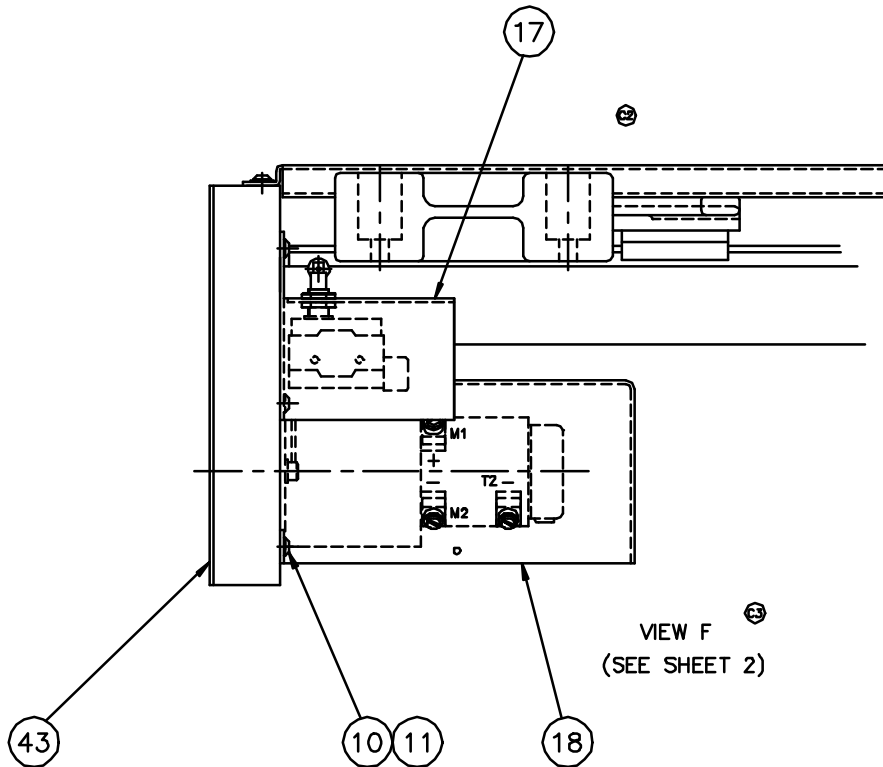
SECTION C-C  
(SEE SHEET 2)



VIEW D  
SEE SHEET 2  
(SHOWN WITH COVER REMOVED)



SECTION E  
SEE SHEET 2  
(SHOWN WITH COVERS REMOVED)



VIEW F  
(SEE SHEET 2)

NOT SHOWN ON ASSEMBLY

QTY.	PART NUMBER	ITEM DESCRIPTION	ITEM
			47
			46
1	001-2024-002	ASSY, LP11-54 FASTENER	45
1	703-1005-409	LABEL, LINEAR RAIL LUBRICATION	44
1	801-2014-004	COVER, END HOUSING	43
4	101-5010-008	SHCS, M10 X 30 LG.	42
2	101-5010-003	SHCS, M8 X 16 LG.	41
1	901-0022-004	ASSEMBLY, ADJUSTABLE LEG	40
1	204-0002-003	BELT, TIMING 150XL037	39
1	208-0002-006	SPROCKET, 18XL037	38
1	001-1525-004	ASSEMBLY, LP11-54 BALL SCREW	37
2	801-2012-001	SUPPORT, BEARING	36
			35
			34
6	101-5008-008	SHCS, M6 X 25 LG.	33
2	801-2014-005	BLOCK, GAUGE STOP	32
1	211-0009-025	BEARING, SINGLE ROW BALL	31
2	113-0008-025	RETAINING RING, BOW 1.375 X 1.526	30
1	211-0035-003	BEARING, DOUBLE ROW	29
1	801-2011-001	HOUSING, REAR END	28
			27
1	801-2010-001	PLATE, FRONT MOUNTING	26
2	102-5006-006	FHCS, M10 X 25 LG.	25
1	801-2009-002	CARRIAGE, BACKGAUGE	24
2	112-5024-006	SPRING PIN, M6 X 30 LG.	23
2	211-0088-001	LOCKWASHER, BEARING	22
2	211-0087-001	LOCKNUT, BEARING	21
1	801-0805-003	KEY, SQUARE 3/32 X 3/32 X 1 LG.	20
1	208-0002-039	PULLEY, GEARBELT, 36XL037	19
1	801-2014-003	COVER, MTE	18
1	801-2013-002	BRACKET, LIMIT SWITCH	17
1	423-0204-001	HARNES, AB7 INTERNAL GAUGE	16
1	001-2009-003	ASSY, MTE	15
2	101-5008-004	SHCS, M6 X 16 LG.	14
1	801-2010-002	PLATE, MTE MOUNTING	13
1	404-5202-012	LIMIT SWITCH	12
15	110-5001-004	FLAT WASHER, M6	11
13	108-5004-002	BHCS, M6 X 12 LG.	10
4	102-0003-001	FHCS, #8 - 32 X 3/8 LG.	9
4	108-5004-006	BHCS, M6 X 20 LG.	8
4	211-1100-023	RAIL, LINEAR - G15+B20L	7
1	801-2015-002	FRAME, 54" MAIN	6
32	101-5021-005	SHCS, M4 X 12 LG.	5
4	211-1100-024	BEARING, LINEAR - GSR15	4
16	101-5021-006	SHCS, M4 X 16 LG.	3
1	801-2014-002	COVER, 54" GAUGE	2
4	101-5010-007	SHCS, M8 X 25 LG.	1

REV.	DATE	BY	DATE	BY	DATE	BY	DATE	BY	DATE	BY
E	14119									
D	13533									
C	13384									
B	13327									
A	13131									

EXCEPT AS NOTED - ALL DIMENSIONS MUST BE AS FOLLOWS	EXCEPT AS NOTED - ALL DIMENSIONS IN INCHES TOLERANCE	HURCO MANUFACTURING COMPANY, INC INDIANAPOLIS, IN U.S.A.	
INSIDE: .000" X 45° DR .05" R MAX	DECIMAL .00 ±.0150 .000 ±.0050 ANGULAR ± .030°	DESCRIPTION ASSEMBLY, LP11-54 BACKGAUGE	
OUTSIDE: .030" X 45° DR .05" R	THIRD ANGLE PROJECTION	SCALE 1/2 UNIT OF MEAS EA	SIZE D
FIRST USED IN LP11-54	EXCEPT AS NOTED - ALL DIMENSIONS MUST BE AS FOLLOWS	DRAWING 001-2010-004	DATE 9-14-94