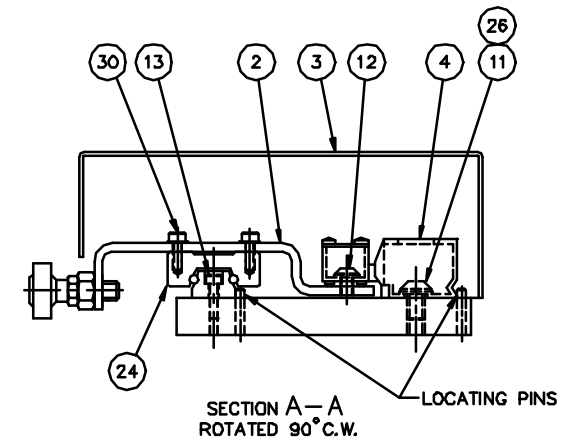


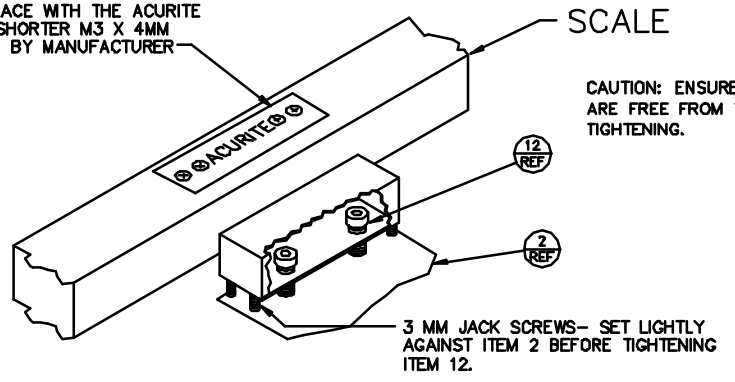
COVER SHOWN AT THIS ANGLE FOR CABLE LAY/ATTACHMENT PURPOSES. NOTE CABLE SERVICE LOOP AND ENSURE BIND FREE OPERATION.



NOTE:
ENSURE LINEAR WAY AND SCALE ARE SEATED AGAINST THE LOCATING PINS (ITEM 29) BEFORE FINAL TIGHTENING OF SECURING HARDWARE.

**CAUTION:
IMPORTANT NOTES**

AFTER READER HEAD HAS BEEN SECURED TO ITEM 12, REMOVE THE INSTALL ALIGNMENT BRACKETS AND REPLACE WITH THE ACURITE NAME PLATE USING SHORTER M3 X 4MM HARDWARE PROVIDED BY MANUFACTURER



- NOTES:
- * DENOTES ITEMS TO BE PLACED INTO A PLASTIC BAG AND SEALED. ITEMS 6, 19, & 27 ARE TO BE INDIVIDUALLY WRAPPED. PLACE THE SCALE ASSY AND THE REMAINING PARTS OF THIS ASSEMBLY INTO THE SCALE PACKING BDX PROVIDED BY MANUFACTURER.
 - ALL FASTENERS TO BE SECURED WITH LOCTITE #242.

QTY.	PART NUMBER	ITEM DESCRIPTION	ITEM
(NOT SHOWN)	4	101-5006-002 SHCS, M3 X 0.5 P X 8 LG	30
(NOT SHOWN)	4	112-0001-003 PIN, DOWEL .125 X .62 LG	29
(NOT SHOWN)	1	704-0001-526 ABSC/AB10 SCALE INSTALL MANUAL	28
(NOT SHOWN)	1	801-0841-001 TUBE, SCALE ACTUATOR	27
(NOT SHOWN)	2	110-0067-007 LOCKWASHER, INT TOOTH M6	26
(NOT SHOWN)	4	110-0042-007 LOCKWASHER, SPLIT 5/16"	25
(NOT SHOWN)	1	211-1100-019 ASSY, LINEAR RAIL & BEARING	24
(NOT SHOWN)			23
(NOT SHOWN)			22
(NOT SHOWN)	2	406-5001-006 TIE WRAP MEDIUM	21
(NOT SHOWN)	2	406-5001-002 TIE WRAP MOUNT.	20
(NOT SHOWN)	1	801-0839-001 BRACKET, SCALE ACTUATOR	19
(NOT SHOWN)	3	110-5150-003 SPHERICAL WASHER SET, 3/8" I.D.	18
(NOT SHOWN)	2	117-5012-001 NUT, HEX M5 X 0.8 P	17
(NOT SHOWN)	6	110-0067-009 LOCKWASHER, INT TOOTH M5	16
(NOT SHOWN)	6	108-5003-003 BHSCS, M5 X 0.8 P X 10 LG	15
(NOT SHOWN)	3	110-0042-008 LOCKWASHER, SPLIT 3/8"	14
(NOT SHOWN)	13	101-5006-003 SHCS, M3 X 0.5 P X 10 LG	13
(NOT SHOWN)	2	108-5002-001 BHSCS, M4 X 0.7 P X 8 LG	12
(NOT SHOWN)	2	108-5004-001 BHSCS, M6 X 1.0 P X 10 LG	11
(NOT SHOWN)	6	110-0062-006 LOCKWASHER, INT TOOTH 1/4" I.D.	10
(NOT SHOWN)	6	117-0005-001 NUT, HEX 1/4-28	9
(NOT SHOWN)	4	101-0006-004 SHCS, 5/16-18 X 3/4 LG	8
(NOT SHOWN)	3	101-0007-006 SHCS, 3/8-16 X 1 1/4 LG	7
(NOT SHOWN)	36	0 322-0002-001 1/4-28 THRD ROD	6
(NOT SHOWN)	2	211-3608-005 BALL JOINT, 1/4-28 THRD.	5
(NOT SHOWN)	1	416-0249-037 SCALE, LINEAR 14 IN.	4
(NOT SHOWN)	1	801-0837-001 COVER, SCALE	3
(NOT SHOWN)	1	801-2002-004 BRACKET, SCALE TO BEARING BLOCK	2
(NOT SHOWN)	1	801-2000-003 BASE PLATE, SCALE	1

REV	DATE	BY	DESCRIPTION
B	12583		
B	12583		

DATE	BY	DESCRIPTION
3-5-85	KLP	ASSY, SCALE - STANDARD 14 INCH

DATE	BY	DESCRIPTION
3-5-85	KLP	ASSY, SCALE - STANDARD 14 INCH