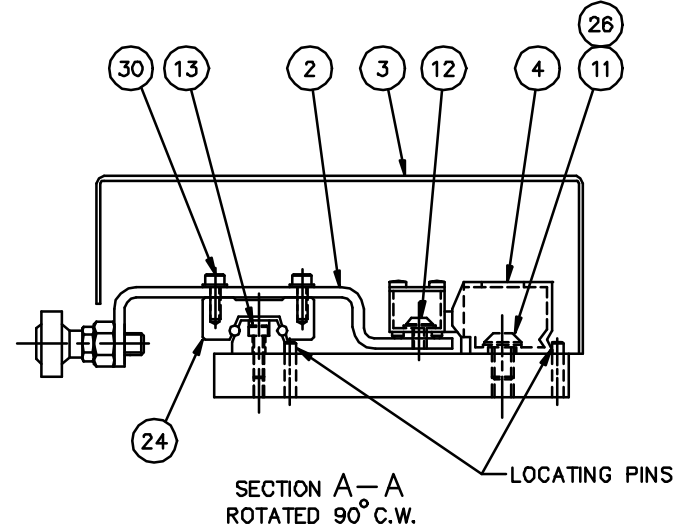


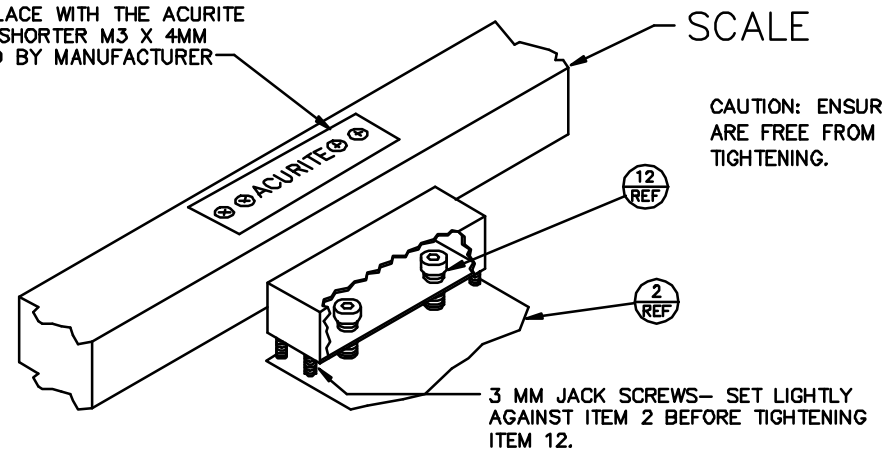
COVER SHOWN AT THIS ANGLE FOR CABLE LAY/ATTACHMENT PURPOSES. NOTE CABLE SERVICE LOOP AND ENSURE BIND FREE OPERATION.



NOTE:
 ENSURE LINEAR WAY AND SCALE ARE SEATED AGAINST THE LOCATING PINS (ITEM 29) BEFORE FINAL TIGHTENING OF SECURING HARDWARE.

**CAUTION:
 IMPORTANT NOTES**

AFTER READER HEAD HAS BEEN SECURED TO ITEM 12, REMOVE THE INSTALL ALIGNMENT BRACKETS AND REPLACE WITH THE ACURITE NAME PLATE USING SHORTER M3 X 4MM HARDWARE PROVIDED BY MANUFACTURER



- NOTES:
- * DENOTES ITEMS TO BE PLACED INTO A PLASTIC BAG AND SEALED. ITEMS 6, 19, & 27 ARE TO BE INDIVIDUALLY WRAPPED. PLACE THE SCALE ASSY AND THE REMAINING PARTS OF THIS ASSEMBLY INTO THE SCALE PACKING BOX PROVIDED BY MANUFACTURER.
 - ALL FASTENERS TO BE SECURED WITH LOCTITE #242.

QTY.	PART NUMBER	ITEM DESCRIPTION	ITEM
(89)	4	101-5006-002 SHCS, M3 X 0.5 P X 8 LG	30
(89)	4	112-0001-003 PIN, DOWEL .125 X .62 LG	29
(NOT SHOWN)	1	704-0001-526 ABSC/AB10 SCALE INSTALL MANUAL	28
(89)	1	801-0841-001 TUBE, SCALE ACTUATOR	27
(89)	2	110-0067-007 LOCKWASHER, INT TOOTH M6	26
*	4	110-0042-007 LOCKWASHER, SPLIT 5/16"	25
(89)	1	211-1100-018 ASSY, LINEAR RAIL & BEARING	24
(87)			23
(88)			22
(89)	2	406-5001-006 TIE WRAP MEDIUM	21
(89)	2	406-5001-002 TIE WRAP MOUNT.	20
(NOT SHOWN)	1	801-0839-001 BRACKET, SCALE ACTUATOR	19
(89)	3	110-5150-003 SPHERICAL WASHER SET, 3/8" I.D.	18
(89)	2	117-5012-001 NUT, HEX M5 X 0.8 P	17
(89)	6	110-0067-009 LOCKWASHER, INT TOOTH M5	16
(89)	6	108-5003-003 BHSCS, M5 X 0.8 P X 10 LG	15
*	3	110-0042-008 LOCKWASHER, SPLIT 3/8"	14
(84)	17	101-5006-003 SHCS, M3 X 0.5 P X 10 LG	13
(89)	2	108-5002-001 BHSCS, M4 X 0.7 P X 8 LG	12
(89)	2	108-5004-001 BHSCS, M6 X 1.0 P X 10 LG	11
(5)	6	110-0062-006 LOCKWASHER, INT TOOTH 1/4" I.D.	10
(5)	6	117-0005-001 NUT, HEX 1/4-28	9
*	4	101-0006-004 SHCS, 5/16-18 X 3/4 LG	8
*	3	101-0007-006 SHCS, 3/8-16 X 1 1/4 LG	7
*	36.0	322-0002-001 1/4-28 THRD ROD	6
(1)	2	211-3608-005 BALL JOINT, 1/4-28 THRD.	5
(83)	1	416-0249-038 SCALE, LINEAR 20 IN.	4
(89)	1	801-0837-002 COVER, SCALE, 20"	3
(89)	1	801-2002-004 BRACKET, SCALE TO BEARING BLOCK	2
(81)	1	801-2000-004 BASE PLATE, SCALE 20"	1

REV	DATE	BY	CHK	DATE	APPROV	DESCRIPTION
B	12583					(7) WAS QTY 7, 110-0067-006, (8) WAS 211-1100-012, (9) ADDED ITEM 30
B	12583					(4) QTY WAS 7, 108-5002-002, (5) QTY WAS 10, (6) DELETED 334-0001-010, REF REDRAWN - (1) WAS 801-0839-001, (2) WAS 801-0838-001, (3) WAS 416-0249-038

HURCO MANUFACTURING COMPANY, INC.
 INDIANAPOLIS, IN U.S.A.

DESCRIPTION: ASSY, SCALE - STANDARD 20 INCH

DATE: 1-15-93
 CHECKED: KLP
 DATE: 1-15-93
 APPROVED: [Signature]

SCALE: 1=1
 UNIT OF MEAS: EA.

DRAWING: 001-2004-002 OF 1