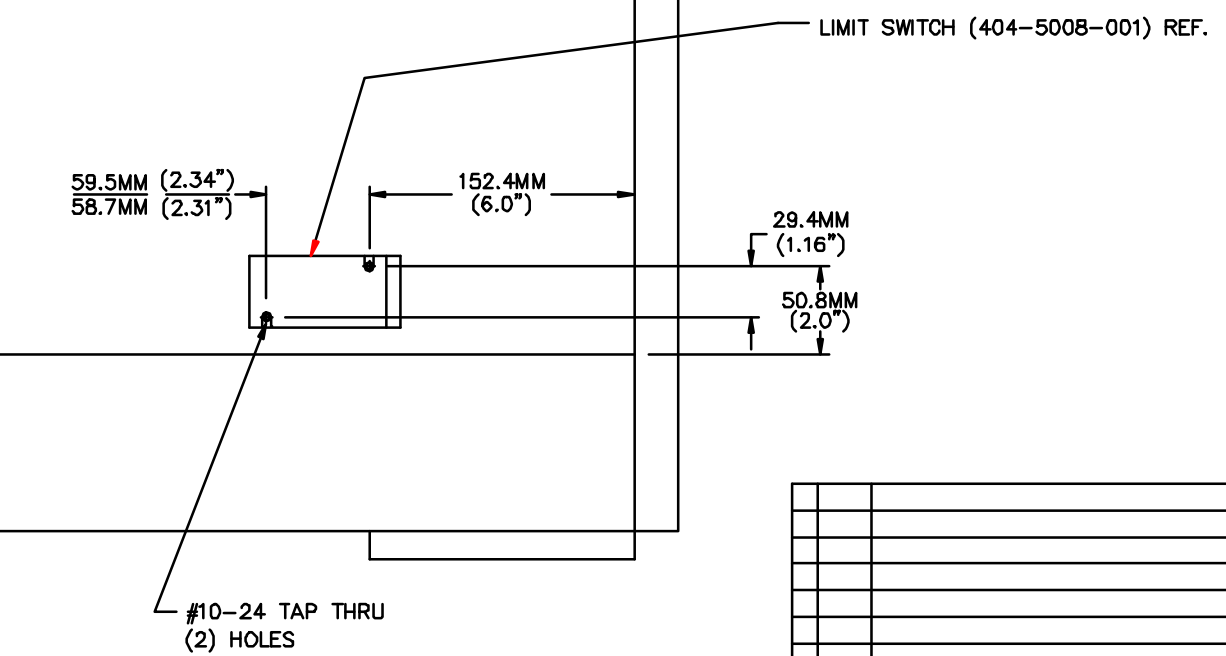


VIEW FROM REAR
 OF ADIRA QHA PRESS BRAKE



CN
 AB173-2

REV	DATE	BY	DESCRIPTION
B	12543	REL	

SURFACE TREATMENT		EXCEPT AS NOTED: ALL DIMENSIONS IN INCHES TOLERANCE DECIMAL		HURCO MANUFACTURING COMPANY, INC. INDIANAPOLIS, IN U.S.A.	
~	EXCEPT AS NOTED: ALL CORNERS MUST BE AS FOLLOWS	INSIDE: .050" X 45° OR .05" R MAX	.00 ±.0150	DESCRIPTION ASSEMBLY, ADIRA QHA 2nd AXIS	
~	OUTSIDE: .030" X 45° OR .05" R	.000 ±.0080	.0000 ±.0005		
FIRST USED ON		THIRD ANGLE PROJECTION		SCALE 1=2	
AB7	AS FOLLOWS ±.12			UNIT OF MEAS. EA	

QTY.	PART NUMBER	ITEM DESCRIPTION	ITEM
PARTS LIST			

DRAWN	DATE	CHECKED	DATE	APPROVED	DATE
GLH	5-10-94	JLW	5-19-94	JLW	6-6-94

001-2006-004
 SH1.2 OF 2