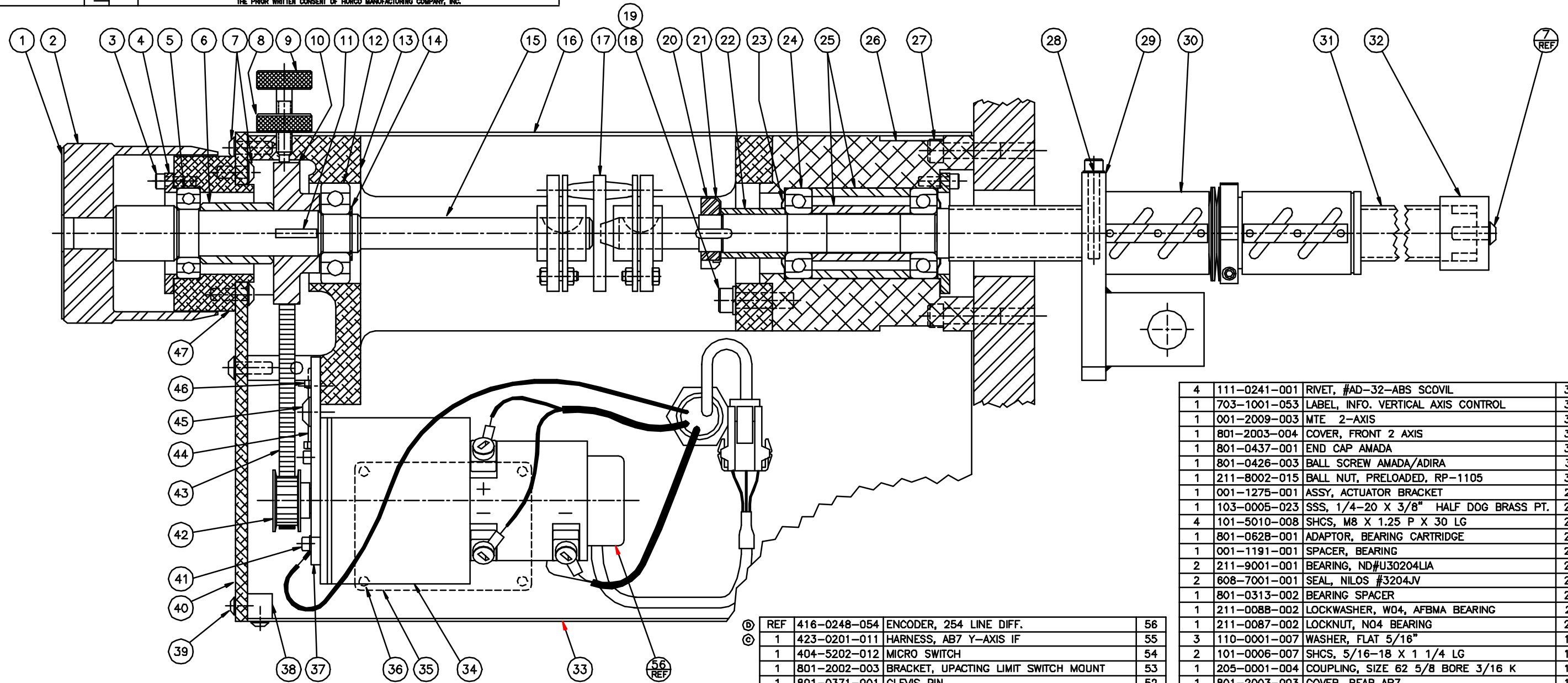


PROPRIETARY INFORMATION
 INFORMATION CONTAINED HEREIN IS THE PROPERTY OF HURCO MANUFACTURING COMPANY, INC. NO REPRODUCTION OR DISCLOSURE OF THIS INFORMATION SHALL BE MADE BY THE RECIPIENT TO ANY OTHER PERSON OR ORGANIZATION WITHOUT THE PRIOR WRITTEN CONSENT OF HURCO MANUFACTURING COMPANY, INC.



NOTES:
 1) CW ROTATION IS DOWN DIRECTION.
 2) ITEMS 27, AND 48 THRU 55 USED AT INSTALLATION.
 3) ITEMS 48 THRU 55 NOT SHOWN.

REF	ITEM DESCRIPTION	ITEM
416-0248-054	ENCODER, 254 LINE DIFF.	56
423-0201-011	HARNESS, AB7 Y-AXIS IF	55
404-5202-012	MICRO SWITCH	54
801-2002-003	BRACKET, UPACTING LIMIT SWITCH MOUNT	53
801-0371-001	CLEVIS PIN	52
801-0389-001	BUSHING, INSTALL ADIRA	51
801-0368-001	UNIVERSAL LINK	50
801-0367-001	CLEVIS LINK	49
103-5128-026	SSS, M6 X 25MM	48
801-0315-001	SLEEVE - PROMECAM 406	47
117-0005-015	HEX NUT, #10-32	46
108-0006-004	BHSCS, 5/16-18 X 3/4" LG	45
105-0074-007	HHCS, #10-32 X 1 1/4" LG	44
204-0002-006	BELT, TIMING #180XL037	43
208-0002-035	SPROCKET, #22XL037	42
101-0003-003	SHCS, #8-32 X 1/2 LG	41
801-0160-003	COVER, END - PROMECAM 2 AXIS	40
108-0084-003	BHSCS, #10-32 X 1/2" LG	39
801-0237-001	SUPPORT, COVER - 2 AXIS PROMECAM	38
801-0027-002	BRACKET, MOTOR MOUNTING	37

QTY.	PART NUMBER	ITEM DESCRIPTION	ITEM
4	111-0241-001	RIVET, #AD-32-ABS SCOVIL	36
1	703-1001-053	LABEL, INFO. VERTICAL AXIS CONTROL	35
1	001-2009-003	MTE 2-AXIS	34
1	801-2003-004	COVER, FRONT 2 AXIS	33
1	801-0437-001	END CAP AMADA	32
1	801-0426-003	BALL SCREW AMADA/ADIRA	31
1	211-8002-015	BALL NUT, PRELOADED, RP-1105	30
1	001-1275-001	ASSY, ACTUATOR BRACKET	29
1	103-0005-023	SSS, 1/4-20 X 3/8" HALF DOG BRASS PT.	28
4	101-5010-008	SHCS, M8 X 1.25 P X 30 LG	27
1	801-0628-001	ADAPTOR, BEARING CARTRIDGE	26
1	001-1191-001	SPACER, BEARING	25
2	211-9001-001	BEARING, ND#U30204LIA	24
2	608-7001-001	SEAL, NILOS #3204JV	23
1	801-0313-002	BEARING SPACER	22
1	211-0088-002	LOCKWASHER, W04, AFBMA BEARING	21
1	211-0087-002	LOCKNUT, N04 BEARING	20
3	110-0001-007	WASHER, FLAT 5/16"	19
2	101-0006-007	SHCS, 5/16-18 X 1 1/4 LG	18
1	205-0001-004	COUPLING, SIZE 62 5/8 BORE 3/16 K	17
1	801-2003-003	COVER, REAR AB7	16
1	801-0310-002	SHAFT, DRIVE	15
1	113-0002-014	RETAIN. RING, EXT BASIC .78 DIA	14
1	801-0300-002	PROMECAM 2-AXIS FRAME CASTING	13
1	211-0009-012	RADIAL BEARING, ND#77604	12
3	609-0001-019	KEY, WOODRUFF #807	11
1	208-0002-008	SPROCKET 48XL037	10
1	604-0001-004	SCREW, VLIER #AHS-312A	9
1	604-0001-003	MCS-312 SCREW CHECK NUT	8
6	108-0005-004	BHSCS, 1/4-20 X 3/4 LG	7
1	801-0327-001	SPACER	6
1	211-0009-013	BEARING, ND#773L05	5
2	801-0326-001	RETAINER, BEARING	4
6	101-0084-003	SHCS, #10-32 X 5/8 LG	3
1	801-0223-003	DIAL	2
1	703-0003-006	LABEL, L.H.	1

CN AB174

REV	DATE	BY	DESCRIPTION
D	13612	JLW	ITEM 56 ADDED
C	13341	JLW	ITEM 55 ADDED
B	12543	DLH	RELEASE

SURFACE TREATMENT: EXCEPT AS NOTED ALL DIMENSIONS IN INCHES TOLERANCE DECIMAL .01 ±.0030 .00 ±.0150 .000 ±.0050 .0000 ±.0008 ANGLULAR ±0.30° BREAK ALL SHARP EDGES

HEAT TREATMENT: FIRST USED ON: AB7

THIRD ANGLE PROJECTION:

SCALE: 1=1 UNIT OF MEAS. EA.

HURCO MANUFACTURING COMPANY, INC. INDIANAPOLIS, IN U.S.A.

DESCRIPTION: DRIVE ASSY, ADIRA AB7

DRAWN: GLH	DATE: 1-20-93	CHECKED: KLP	DATE: 1-21-93	APPROVED: JLW	DATE: 2-2-93
------------	---------------	--------------	---------------	---------------	--------------

DRIVE ASSY, ADIRA AB7

001-2006-005