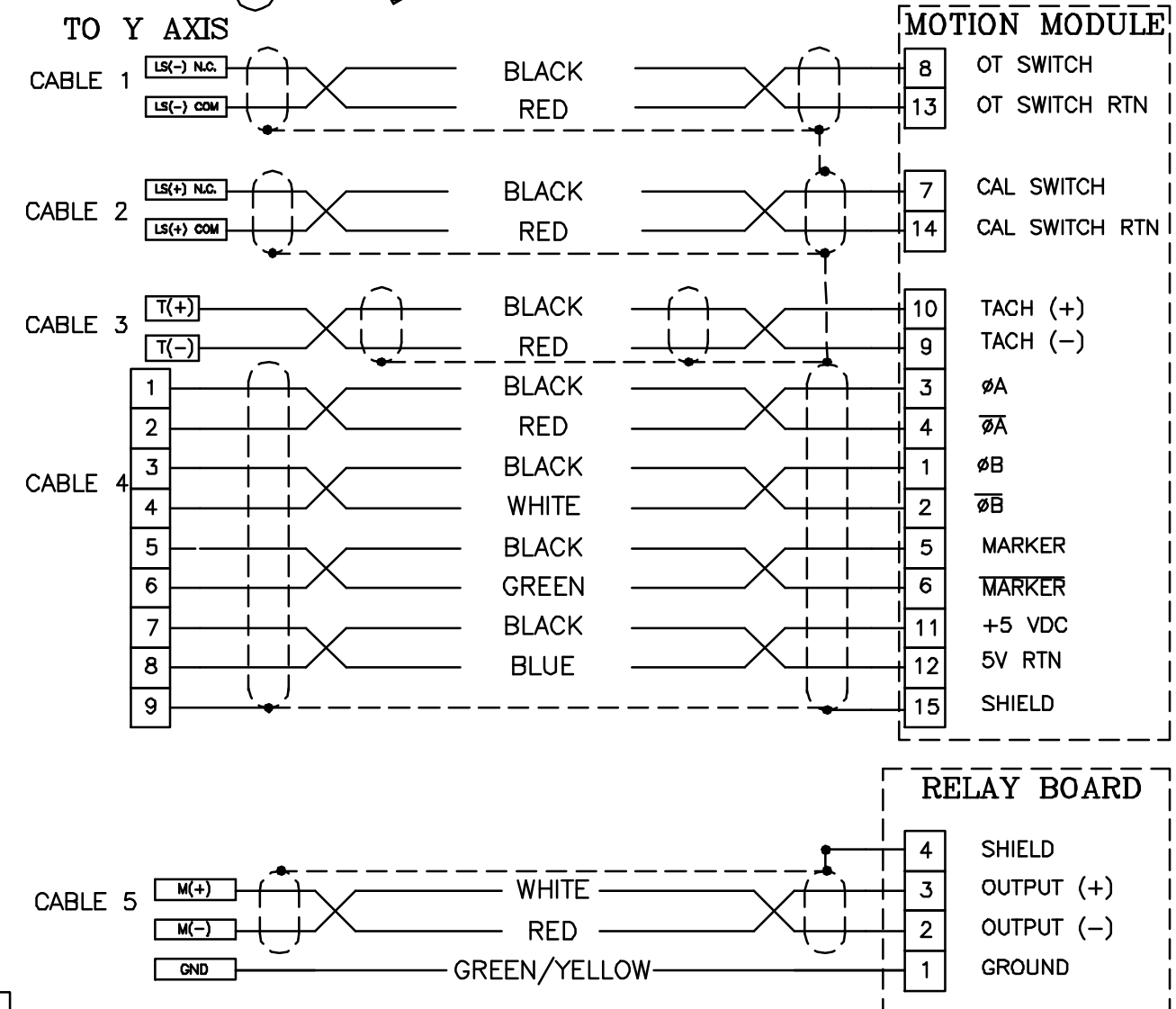


-011 = 360 INCHES
 -012 = 600 INCHES

NOTES:

1. LABEL HARNESS WITH PART NUMBER AND REVISION LEVEL LETTER.
2. LABEL CONNECTORS AND WIRES AS SHOWN.
3. LENGTHS ARE STRAIGHT LINE +/- 1 INCH.
4. TYPICAL STRIP LENGTH 2 TO 4 INCHES.
5. SOLDER DRAINS OF CABLES 1 THRU 4 AT ITEM 15 END TO 2" OF ITEM 13, COVER WITH 2" OF ITEM 14.
6. SOLDER DRAIN OF CABLE 5 AT ITEM 19 END TO 2" OF ITEM 12, COVER WITH 2" OF ITEM 14.
7. USE ITEM 20 TO DRESS CABLES, SPACE EVERY 12 INCHES BETWEEN ITEMS 10.
8. CABLES 1, 2 & 3 ARE ITEM 3. CABLE 4 IS ITEM 9. CABLE 5 IS ITEM 8.



- AXIS #1 = MOTION MODULE J1, RELAY PCB TB4
 AXIS #2 = MOTION MODULE J3, RELAY PCB TB5
 AXIS #3 = MOTION MODULE J5, RELAY PCB TB6
 AXIS #4 = MOTION MODULE J7, RELAY PCB TB7

QTY.	QTY.	PART NUMBER	ITEM DESCRIPTION	ITEM
2	PC	408-8501-010	LOCK NUT, 1 1/4" NPT	24
4	PC	406-0965-004	CRIMP FERRULE, 18 AWG RED	23
1	PC	406-7001-048	RING TONGUE, #8 16-22 AWG	22
648	IN	406-2005-030	WIRE, 18 AWG GREEN/YELLOW	21
50	PC	406-5001-006	WIRE TIE, MEDIUM	20
1	PC	406-4005-061	CONNECTOR, FEMALE W/LATCHES 6 POS	19
9	PC	406-7501-012	CONTACT, PIN, 24-20 AWG GOLD	18
2	IN	406-6481-004	SHRINK TUBE, 1/4" DIA. BLACK	17
1	PC	406-0801-142	CRIMP TERMINAL HOUSING, 15 POS.	16
15	PC	406-0801-135	TERMINAL, CRIMP 22-30 AWG	15
4	IN	406-6481-002	SHRINK TUBE, 1/8" BLACK	14
2	IN	406-1687-010	WIRE, 24 AWG BLACK	13
2	IN	406-1683-010	WIRE, 18 AWG BLACK	12
2	PC	408-1014-012	REDUCER, FEMALE 1 1/4" TO 3/4"	11
2	PC	408-8003-053	CORD CONNECTOR, 3/4" NPT, .375 -.500 I.D.	10
648	IN	406-1328-006	CABLE, 4 PAIR TWISTED 24 AWG	9
648	IN	406-1242-001	CABLE, 1 TWISTED PAIR 18 AWG	8
4	IN	406-6481-005	SHRINK TUBE, 3/8" DIA. BLACK	7
1	PC	406-0803-670	RECEPTACLE, RECTANGULAR 9 POSITION	6
2	PC	406-7001-077	QUICK CONNECT, .187X.020 FEMALE 16/14 AWG	5
2	PC	406-7001-078	QUICK CONNECT, .187X.020 FEMALE 26/24 AWG	4
1944	IN	406-1242-013	CABLE, 1 PR TWISTED 24 AWG	3
6	IN	406-6481-003	SHRINK TUBE, 3/16" DIA. BLACK	2
4	PC	406-7001-025	RING TONGUE, #6 26-22 AWG	1

CN AB190

REV.	DATE	DESCRIPTION	BY	DATE	BY	DATE	BY
E	12/28/10	(1) WAS 1 PC 408-8003-047; (2) WAS 1 PC 408-8003-048; (3) ADDED ITEM 24					
D	12/23/06	CORRECTED WIRE COLORS OF CABLE 5					
C	12/26/06	1) WAS 406-0803-958, 2) WAS 406-0803-959					
B	12/26/09	4) WAS 2 PC 4088002012, 5) WAS 4", 6) WAS 3 PC 4060865014, 7) WAS 1					
A	12/25/03	1) WAS 4061242012, 2) WAS 2 PC 4088003042, 3) WAS 2 PC 4088501009					
		RELEASE					

SURFACE TREATMENT		EXCEPT AS NOTED: ALL DIMENSIONS IN INCHES TOLERANCE		HURCO MANUFACTURING COMPANY, INC. INDIANAPOLIS, IN U.S.A.	
~		DECIMAL 0 +.0300 .000 +.0150 .000 +.0050 .0000 +.0005		DESCRIPTION HARNESS, AB7 Y AXIS IF	
~		ANGULAR 9 0°30' BREAK ALL SHARP EDGES		DRAWN KLP DATE 01/18/93 CHECKED MFC DATE 01/20/93 APPROVED DAB DATE 2/25/93	
~		FIRST USED ON		SCALE NONE UNIT OF MEAS PC	
AB7		THIRD ANGLE PROJECTION		DRAWING 423-0201-011 012	