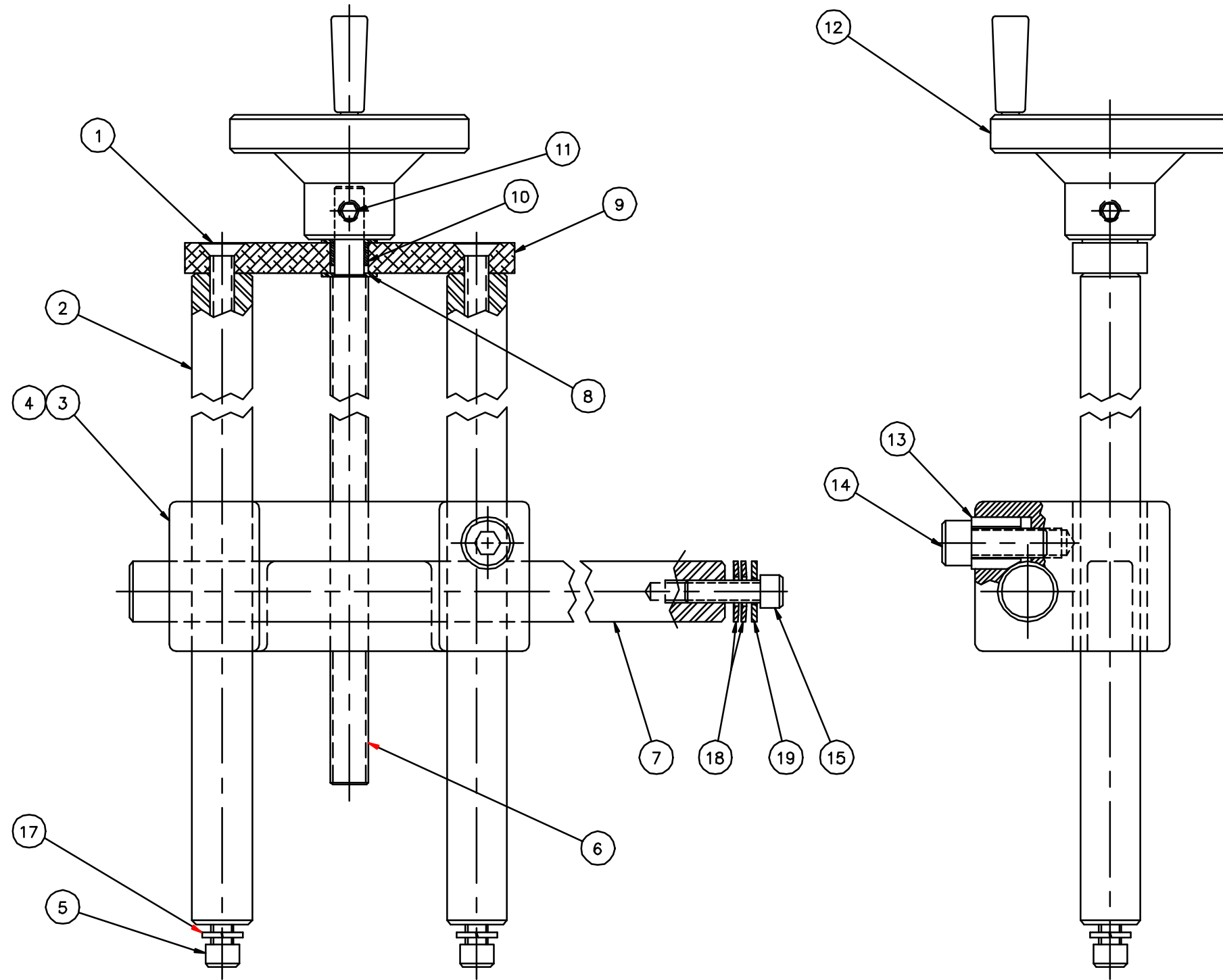


SIZE D DRAWING 001-1034-003-004 SH. 1 OF 1 REV. 1 D

PROPRIETARY INFORMATION
 INFORMATION CONTAINED HEREIN IS THE PROPERTY OF HURCO MANUFACTURING COMPANY, INC. NO REPRODUCTION OR DISCLOSURE OF THIS INFORMATION SHALL BE MADE BY THE RECIPIENT TO ANY OTHER PERSON OR ORGANIZATION WITHOUT THE PRIOR WRITTEN CONSENT OF HURCO MANUFACTURING COMPANY, INC.



QTY.	QTY.	PART NUMBER	ITEM DESCRIPTION	ITEM
1	1	110-0001-008	WASHER, 3/8" NOM FLAT	19
2	2	605-5001-006	SPRING WASHER, 1/2" BELLEVILLE	18
2	2	110-0042-008	LOCKWASHER, 3/8" SPLIT	17
				16
1	1	101-0007-006	SHCS, 3/8"-16 X 1 1/4 LG	15
1	1	101-0009-007	SHCS, 1/2"-13 X 1 1/2 LG	14
1	1	801-0146-001	LOCK, SHAFT	13
1	1	813-0124-001	HANDWHEEL	12
2	2	103-5165-021	SHSS, MB X 1.25 P X 10 LG CONE PT.	11
1	1	211-7027-002	BEARING-OILITE AA62B-7	10
1	1	813-5012-001	CAP	9
2	2	211-1202-008	THRUST, RACE-TORRINGTON TR	8
1	1	813-5079-001	ROD, 15 1/4" GAUGE BAR SUPPORT	7
1	1	813-5011-001	SCREW, ADJUSTING	6
2	2	101-0007-005	SHCS, 3/8"-16 X 1	5
1	-	801-0145-001	BLOCK, GAUGE BAR SUPPORT, L.H.	4
-	1	801-0145-002	BLOCK, GAUGE BAR SUPPORT, R.H.	3
2	2	813-5083-001	ROD, SUPPORT	2
2	2	102-0007-004	FHSCS, 3/8"-16 X 1	1
QTY. 004	QTY. 003			

REV	DATE	BY	DATE	BY	DATE	BY	DATE	BY	DATE	DATE	DATE	DATE	DATE	DATE	DATE
D	14335	(1) WAS QTY 3; (2) ITEMS 18 & 19 ADDED; (3) WAS 101-0009-006	J.W.	7/17/94	R.H.	7/20/94									
C	13513	1) WAS 605-5001-017; (2) ITEM 17 ADDED	J.W.	8-28-94	R.H.	9-27-94	J.W.	8-28-94							
B	13327	ITEMS 15 & 16 ADDED	J.W.	1-19-94	R.H.	1-19-94	J.W.	2-9-94							
A	13131	REL													
REV	DATE	BY <td>DATE</td> <td>BY <td>DATE</td> <td>BY <td>DATE</td> <td>BY <td>DATE</td> <td>DATE</td> <td>DATE</td> <td>DATE</td> <td>DATE</td> <td>DATE</td> <td>DATE</td> </td></td></td>	DATE	BY <td>DATE</td> <td>BY <td>DATE</td> <td>BY <td>DATE</td> <td>DATE</td> <td>DATE</td> <td>DATE</td> <td>DATE</td> <td>DATE</td> <td>DATE</td> </td></td>	DATE	BY <td>DATE</td> <td>BY <td>DATE</td> <td>DATE</td> <td>DATE</td> <td>DATE</td> <td>DATE</td> <td>DATE</td> <td>DATE</td> </td>	DATE	BY <td>DATE</td> <td>DATE</td> <td>DATE</td> <td>DATE</td> <td>DATE</td> <td>DATE</td> <td>DATE</td>	DATE	DATE	DATE	DATE	DATE	DATE	DATE

CN AB59B

SURFACE TREATMENT ~		EXCEPT AS NOTED ALL DIMENSIONS IN INCHES TOLERANCE DECIMAL ±.0300 ±.0190 ±.0080 ±.0060 ±.0040 ±.0030 ANGULAR ±.030°		HURCO MANUFACTURING COMPANY, INC INDIANAPOLIS, IN U.S.A.	
HEAT TREATMENT ~		EXCEPT AS NOTED ALL DIMENSIONS IN INCHES TOLERANCE DECIMAL ±.0300 ±.0190 ±.0080 ±.0060 ±.0040 ±.0030 ANGULAR ±.030°		DESCRIPTION ASS'Y, VERTICAL SUPPORT	
FIRST USED ON 001-2010-001		EXCEPT AS NOTED ALL DIMENSIONS IN INCHES TOLERANCE DECIMAL ±.0300 ±.0190 ±.0080 ±.0060 ±.0040 ±.0030 ANGULAR ±.030°		DRAWN DRA	
REV. DATE BY		THIRD ANGLE PROJECTION		DATE 8-23-94	
		SCALE 1=1		CHECKED JLW	
		SIZE D		DATE 8-26-94	
		UNIT OF MEAS EA		APPROVED JLW	
				DATE 9-14-94	