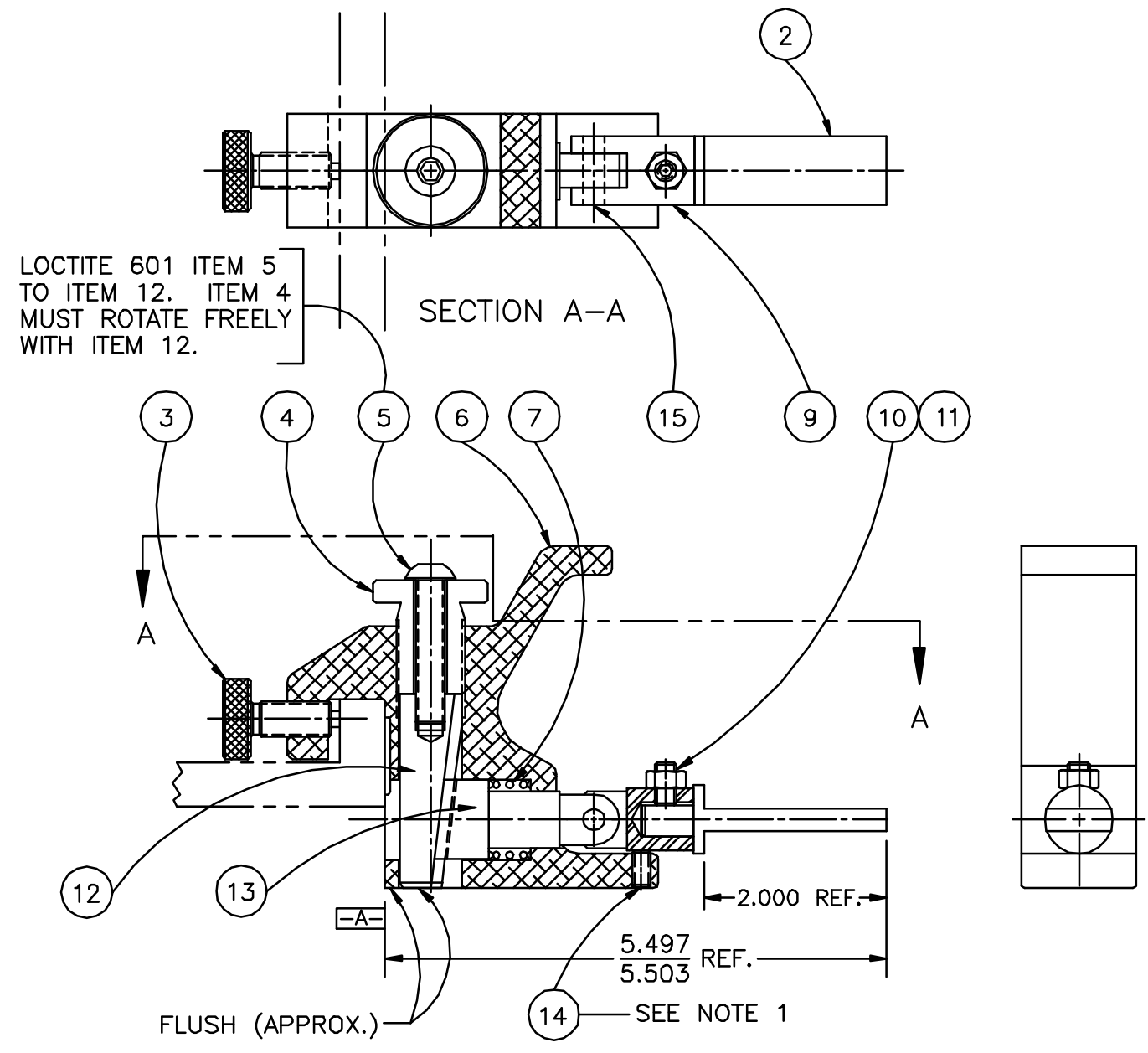


SIZE	DRAWING	SHT.	REV.
C	001-1425-004	1	1
		OF	
		1	

PROPRIETARY INFORMATION
 INFORMATION CONTAINED HEREIN IS THE PROPERTY OF HURCO MANUFACTURING COMPANY, INC. NO REPRODUCTION OR DISCLOSURE OF THIS INFORMATION SHALL BE MADE BY THE RECIPIENT TO ANY OTHER PERSON OR ORGANIZATION WITHOUT THE PRIOR WRITTEN CONSENT OF HURCO MANUFACTURING COMPANY, INC.



- NOTES:
- ADJUST ITEM #14 UNTIL ITEM #2 IS PERPENDICULAR WITH DATUM -A- WITHIN +/- .010.
 - LUBRICATE ITEMS 2, 3, 4, 6, 7, 9, 12, AND 13 WITH NOOK BEARING LUBRICANT OR EQUIV. BEFORE ASSEMBLY.

QTY.	PART NUMBER	ITEM DESCRIPTION	ITEM
1	112-0003-003	DOWEL PIN, 1/4" DIA X 3/4" LG	15
1	103-5127-020	SSS, M5 X 0.8P X 10 LG. DOG PT.	14
1	801-0656-004	PIVOT	13
1	801-0655-003	WEDGE, FINGER ADJUSTING	12
1	117-5013-001	HEX NUT, M6 X 1.0P	11
1	103-8004-004	SSS, M6 X 1.0P X 12 LG. CUP PT.	10
1	801-0747-003	FINGER SOCKET	9
1	605-7044-001	SPRING, .850 DIA X .081 WIRE X .75 LG.	8
1	801-0661-004	BODY, PIVOT FINGER	7
1	108-5005-008	BHSCS, M8 X 1.25P X 40 LG.	6
1	801-0658-001	SCREW, FINGER ADJUSTING	5
1	801-0748-002	SCREW, M10 LOCKING	4
1	801-0761-005	FINGER	3
1			2
1			1

CN
AB061

REV	P.J.N. NO.	REVISION DESCRIPTION	REV BY	DATE	CHK BY	DATE	APP BY	DATE	DF
C	13547	(1) WAS 115-5001-002 QTY 1, (2) ADDED ITEM 15	GLH	12/13/92	JLW	12/13/92			
B	12562	1) WAS 117-5012-001; (2) WAS 115-5001-003	JW	1-30-92	RH	1-30-92	HP	2-18-92	
A	11934	RELEASED							

SURFACE TREATMENT: EXCEPT AS NOTED: ALL DIMENSIONS IN INCHES TOLERANCE DECIMAL

HEAT TREATMENT: ANGULAR ? 0°30' BREAK ALL SHARP EDGES

FIRST USED ON: S6, S7, S8

THIRD ANGLE PROJECTION:

HURCO HURCO MANUFACTURING COMPANY, INC. INDIANAPOLIS, IN U.S.A.

DESCRIPTION: ASSEMBLY, ADJUSTABLE PIVOT FINGER

DRAWN	DATE	CHECKED	DATE	APPROVED	DATE
J.L.W.	1/10/92	R.J.H.	1/14/92	D.D.C.	2-5-92

SCALE: 1=1 UNIT OF MEAS: PC SIZE: C DRAWING: 001-1425-004

SHT. 1 OF 1 REV.