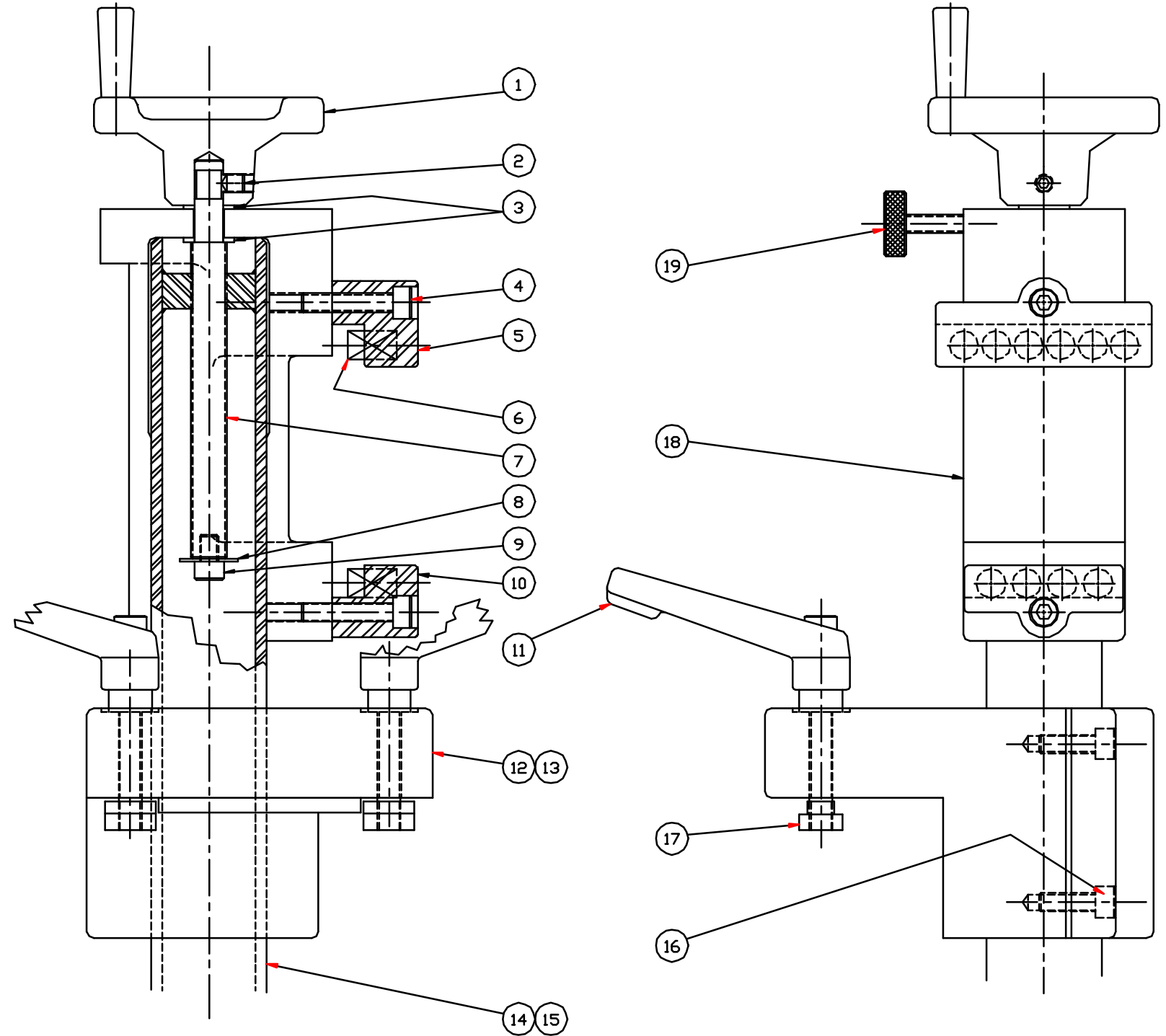


SIZE D DRAWING 001-1452  
 -001  
 -002  
 -003  
 -004  
 SH. 1  
 REV. 1  
 OF 1

PROPRIETARY INFORMATION  
 INFORMATION CONTAINED HEREIN IS THE PROPERTY OF HURCO MANUFACTURING COMPANY, INC. NO REPRODUCTION OR DISCLOSURE OF THIS INFORMATION SHALL BE MADE BY THE RECIPIENT TO ANY OTHER PERSON OR ORGANIZATION WITHOUT THE PRIOR WRITTEN CONSENT OF HURCO MANUFACTURING COMPANY, INC.



QTY.	QTY.	QTY.	QTY.	PART NUMBER	ITEM DESCRIPTION	ITEM
1	1	1	1	604-0821-007	CLAMP, SWIVEL PAD	19
1	1	1	1	801-0789-001	BRACKET, GAUGE BAR	18
2	2	2	2	801-0660-001	T-NUT	17
2	2	2	2	101-5010-007	SHCS, M8 X 1.25P X 25 LG.	16
1	1	-	-	901-0082-003	TUBE, VERTICAL ADJUST. (24")	15
-	-	1	1	901-0082-002	TUBE, VERTICAL ADJUST. (18")	14
-	1	-	1	801-0723-001	BRACKET, VERTICAL (RIGHT)	13
1	-	1	-	801-0722-001	BRACKET, VERTICAL (LEFT)	12
2	2	2	2	603-0521-006	HANDLE, ADJUST. M10 X 50 LG.	11
1	1	1	1	801-0788-001	BAR, LOWER CLAMP	10
1	1	1	1	101-5010-002	SHCS, M8 X 1.25P X 12 LG.	9
1	1	1	1	110-5001-005	WASHER, FLAT M8	8
1	1	1	1	801-0639-002	SCREW ADJUSTING	7
10	10	10	10	605-0071-003	SPRING, COMPRESSION	6
1	1	1	1	801-0788-002	BAR, UPPER CLAMP	5
2	2	2	2	101-5010-010	SHCS, M8 X 1.25P X 40 LG.	4
2	2	2	2	211-1202-008	THRUST RACE - TORRINGTON TRB-815	3
2	2	2	2	103-5165-021	SHSS, M8 X 1.25P X 10 LG. CONE POINT	2
1	1	1	1	813-0124-001	HANDWHEEL	1

SURFACE TREATMENT 	EXCEPT AS NOTED ALL DIMENSIONS IN INCHES TOLERANCE DECIMAL 0 .0300 .00 1.0150 .000 2.0050 .0000 3.0000 ANGULAR 7 0200' BREAK ALL SHARP EDGES THIRD ANGLE PROJECTION 	HURCO MANUFACTURING COMPANY, INC. INDIANAPOLIS, IN U.S.A.
HEAT TREATMENT 	DESCRIPTION ASSEMBLY, SUPPORT (VERTICAL MTG.) DRAWN J.L.W. DATE 08/02/91 CHECKED R.J.H. DATE 08/05/91 APPROVED D.D.C. DATE 8/28/91	
PART USED ON 001-1451-001 SB	SCALE 1=1 UNIT OF MEAS PC DRAWING 001-1452 -001 -002 -003 -004 SH. 1 REV. 1 OF 1	

CN  
 AB041

REV	DATE	BY	DESCRIPTION
G 11534		J.L.W.	REVISED ITEM #5 & 10 TO CURRENT DESIGN
F 11432			REVISED AND REDRAWN TO CAD