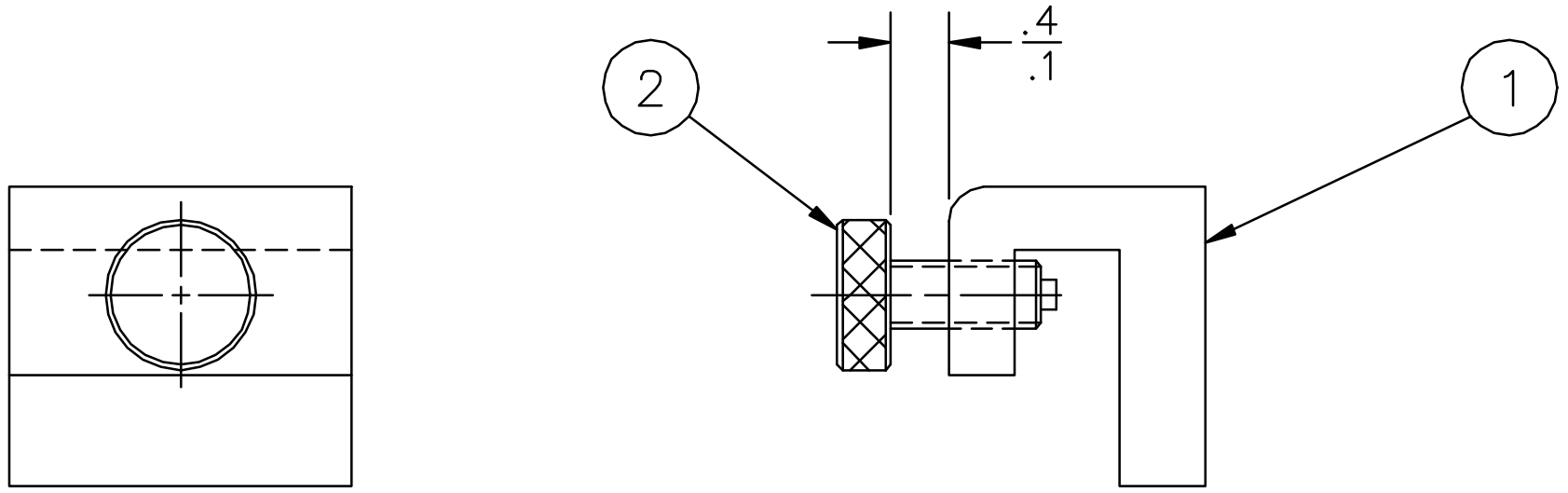


SIZE B	DRAWING 001-1479-999	SHT. 1 OF 1	REV. D	PROPRIETARY INFORMATION INFORMATION CONTAINED HEREIN IS THE PROPERTY OF HURCO MANUFACTURING COMPANY, INC. NO REPRODUCTION OR DISCLOSURE OF THIS INFORMATION SHALL BE MADE BY THE RECIPIENT TO ANY OTHER PERSON OR ORGANIZATION WITHOUT THE PRIOR WRITTEN CONSENT OF HURCO MANUFACTURING COMPANY, INC.
------------------	-------------------------	----------------------	------------------	---



NOTES:
ITEM 2 TO BE INSTALLED INTO ITEM 1
TO DEPTH SHOWN.

1	801-0748-002	SCREW, LOCKING, M10 X .88 LG.	2
1	801-0677-001	GAUGE BLOCK	1
QTY.	PART NUMBER	ITEM DESCRIPTION	ITEM

										SURFACE TREATMENT		EXCEPT AS NOTED, ALL DIMENSIONS IN INCHES TOLERANCE		HURCO MANUFACTURING COMPANY, INC. INDIANAPOLIS, IN U.S.A.											
												EXCEPT AS NOTED, ALL DIMENSIONS IN INCHES TOLERANCE DECIMAL .0 ±.0300 .00 ±.0150 .000 ±.0050 .0000 ±.0005 ANGULAR ± 0°30'		DESCRIPTION ASSY, GAUGE BLOCK/SCREW											
										HEAT TREATMENT		INSIDE: .050° X 45° DR .05° R MAX OUTSIDE: .030° X 45° DR .05° R		DRAWN RMA		DATE 31JUL84		CHECKED G.B.		DATE 31JUL84		APPROVED G.B.		DATE 31JUL84	
										FIRST USED ON		EXCEPT AS NOTED, WELDING TOLERANCE MUST BE AS FOLLOWS ±.12		THIRD ANGLE PROJECTION 		SCALE 1:1		SIZE B		DRAWING 001-1479-999		SHY. 1 OF 1		REV. D	
REV	P.N. NO.	REVISION DESCRIPTION								REV	DATE	CHK BY	DATE	APP BY	DATE	DF									
D	14743	REDRAWN TO CAD WITH NO CHANGES								JW	8/23/88	SD	8/24/88	JW	8/23/88										