

6 - LEVELLING OF THE MACHINE

Carefully follow the procedure given below to level your machine correctly.

Provide two 150 X 150 X 5 mild steel shims.

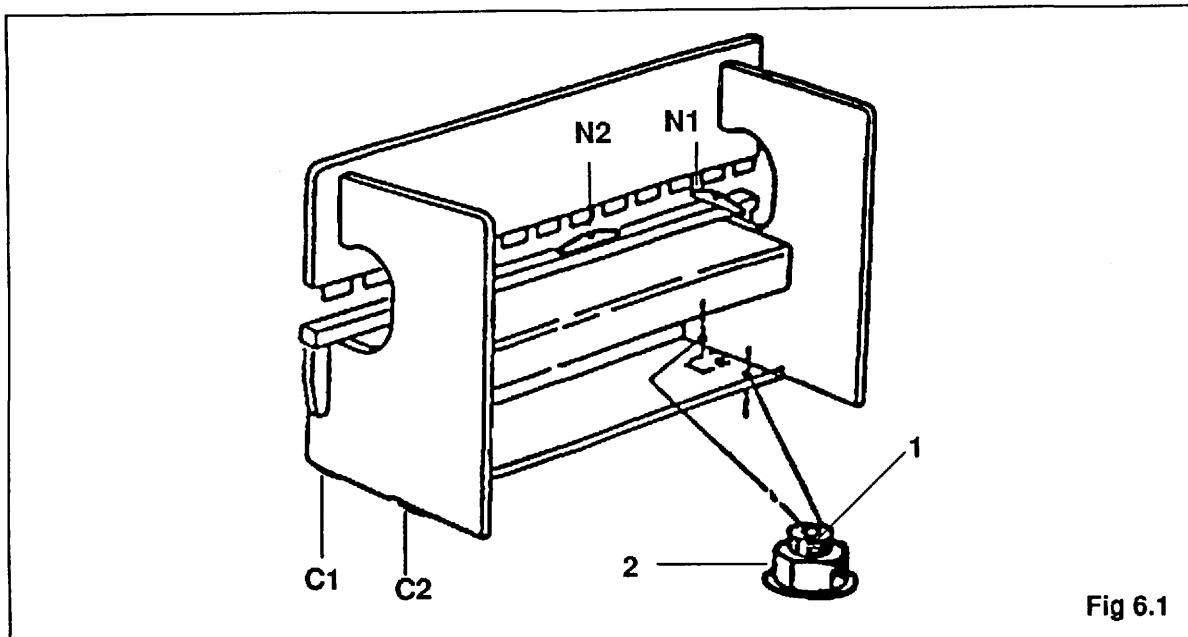


Fig 6.1

According to the date on which the machines are manufactured, screws refs. 1 can be located either inside or outside the frame.

With the machine laid directly on the floor, test its horizontality with a spirit level placed successively in N1 and N2.

A 2 mm per metre level fault (*in N1 and N2*) is acceptable.

IMPORTANT

THE MACHINE SHOULD NEVER REST ON OTHER SUPPORTS THAN C1, C2, C3. SCREWS REF 1 SHOULD NEVER BE USED TO CORRECT THE LEVEL. THEIR ONLY TASK IS TO ENSURE THE TRANSVERSE STABILITY OF THE MACHINE. FOR SPECIAL INSTALLATION CONDITIONS REFER TO OUR TECHNICAL DEPARTMENT.

